



**MECHANICAL
ACTUATED**
SEISMIC VALVE SERIES

ESKA

www.eskavalve.com



EMV
SERIES

MECHANICAL ACTUATED SEISMIC VALVE

EMV Series Earthquake Valve is a shut off valve which is activated during seismic oscillation. Activation and non-activation waves are defined in TS 12884 Turkish Standard. This Turkish standard is created based on ANSI Z11 standard in United States. Once mechanical actuation system sense the seismic oscillation, valve will shut the gas off and you should rearm manually in order to reactivated gas flow. This valve basically is a manual reset, normally open gas valve. Main aim to decrease the risk of fire related to gas leakage, in case of earthquake occurs. In countries that this safety system is available, main regulation is done by fire safety department.

TECHNICAL INFORMATION

- Usage : City gas networks and gas pipelines in industrial areas
- Medium : Non-corrosive gases such as Natural Gas (Methane), LPG, Town Gas, Air, etc...
- Montage Position : Vertical
- Position : Normally Open
- Connection or Port Size: 1", 1 1/4", 1 1/2", 2" Threaded (Female) DN65, DN80, DN100 Flanged
- Maximum Working Pressure : 0,5 bar
- Ambient Temperature Range : -23°C up to 51,5°C
- Reset : Manually
- Material Standard : Aluminum-EN 1706 / Brass-EN12164 and EN12165 / Rubber-EN549



EMV 1025

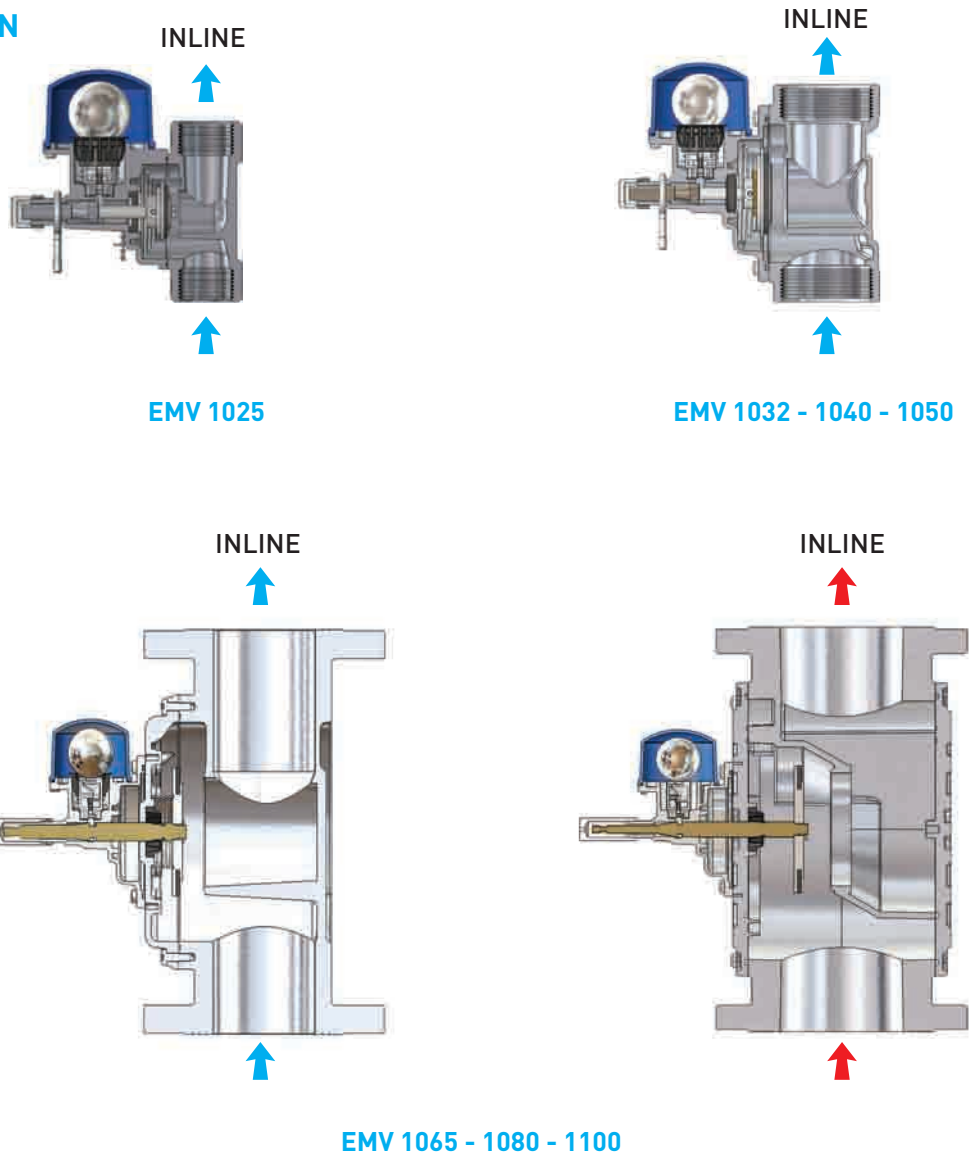


EMV 1032 - 1040 - 1050

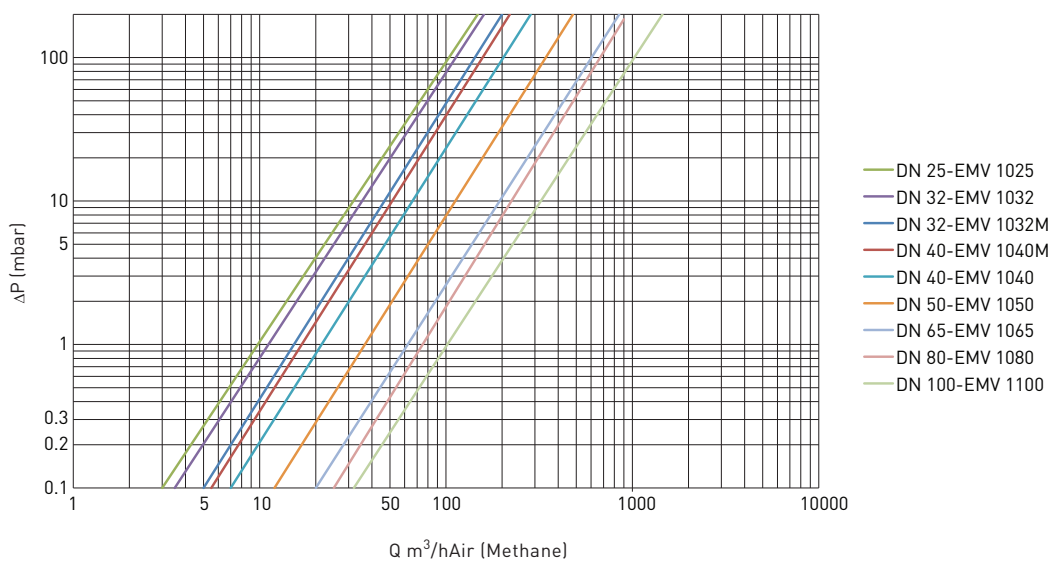


EMV 1065 - 1080 - 1100

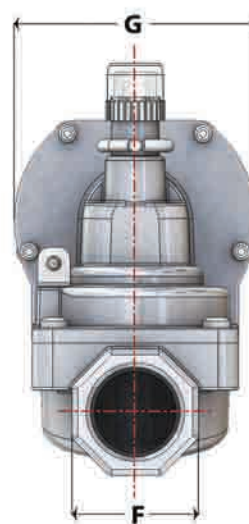
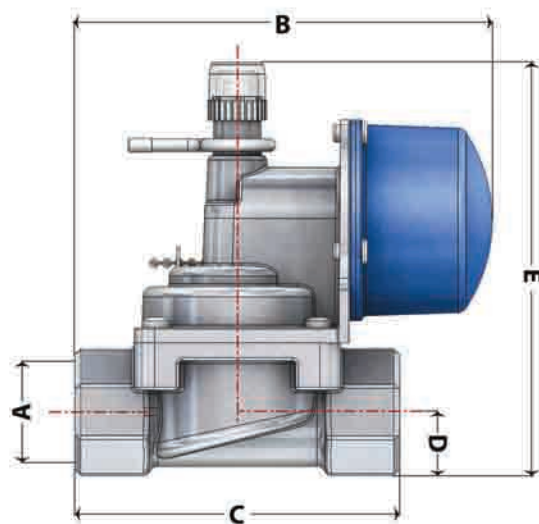
CONFIGURATION



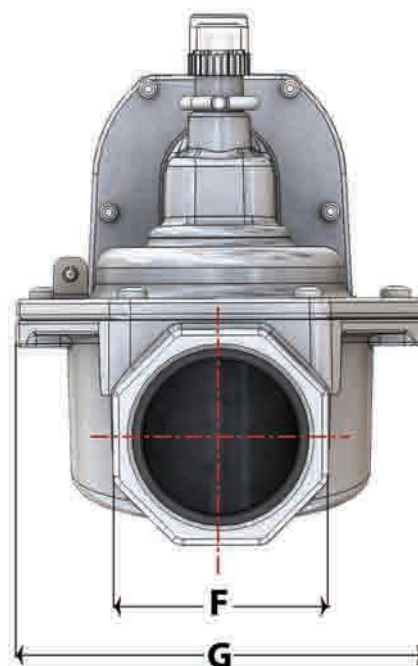
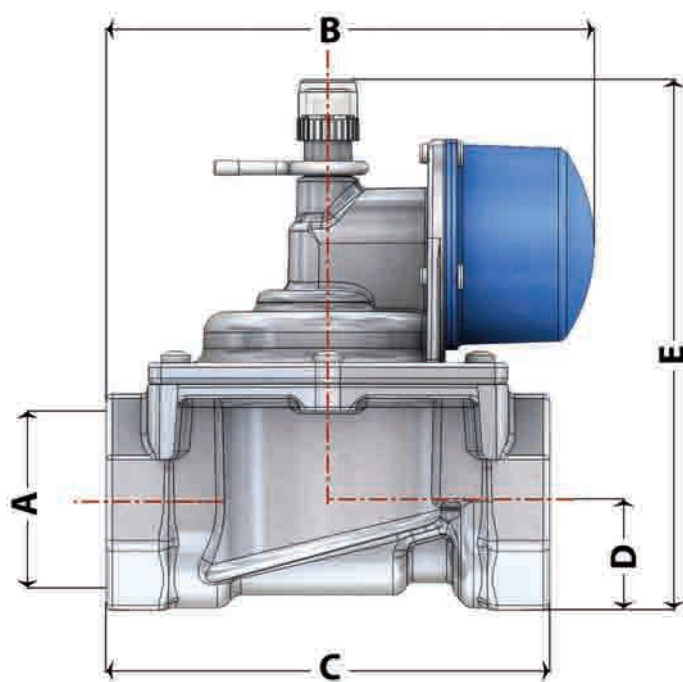
EMV SERIES CAPACITY GRAPH



DIMENSIONS

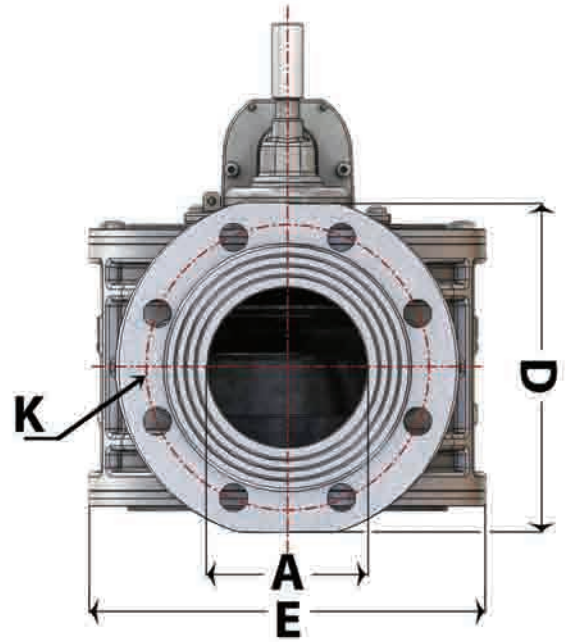
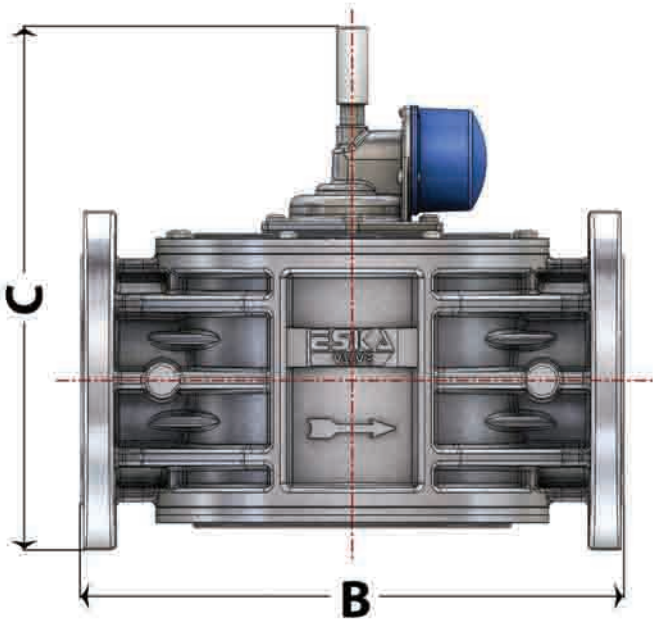
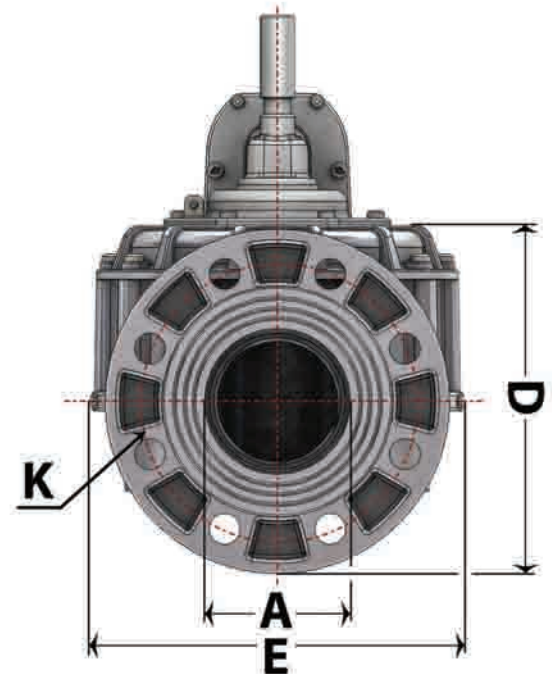
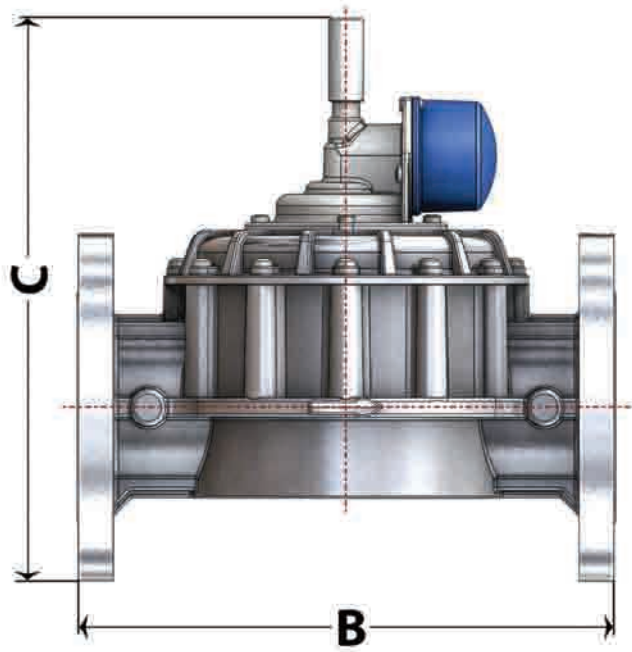


| MODEL | DN | A | B | C | D | E | F | G |
|----------|----|----|-----|-----|------|-----|-------|----|
| EMV 1025 | 25 | 1" | 141 | 110 | 21,5 | 140 | AA 43 | 82 |



| MODEL | DN | A | B | C | D | E | F | G |
|----------|----|--------|-----|-----|----|-----|-------|-----|
| EMV 1032 | 32 | 1 1/4" | 158 | 144 | 30 | 165 | AA 60 | 133 |
| EMV 1040 | 40 | 1 1/2" | 158 | 144 | 30 | 165 | AA 60 | 133 |
| EMV 1050 | 50 | 2" | 158 | 144 | 35 | 172 | AA 70 | 133 |

DIMENSIONS



| MODEL | DN | A | B | C | D | E | K | Number of holes |
|----------|-----|-----|-----|-----|-----|-----|-----|-----------------|
| EMV 1065 | 65 | 70 | 290 | 316 | 195 | 216 | 145 | 4 |
| EMV 1080 | 80 | 85 | 310 | 324 | 203 | 216 | 160 | 8 |
| EMV 1100 | 100 | 100 | 326 | 320 | 220 | 254 | 180 | 8 |



MANUAL RESET VALVE SERIES

ESKA

www.eskavalve.com



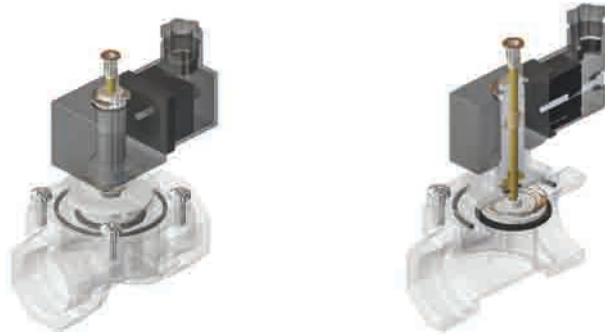
ESKA VALVE GAS VALVE
EGV 1025 MODEL
PN=PS=0,5 Bar
DN:1"
TS:-20 ... +60 °C
Protection Class : IP54
Man.:Eska Valve Ltd. Şti.
Brand : ESKA VALVE
www.eskavalve.com
Design and Manufactured In Turkey
P.D.(Y/W): 18/

| | | | | | | | | | |
|---|---|---|---|---|---|---|---|---|---|
| 0 | 1 | 2 | 3 | 4 | 5 | | | | |
| 0 | 1 | 2 | 3 | 4 | 5 | 6 | 7 | 8 | 9 |

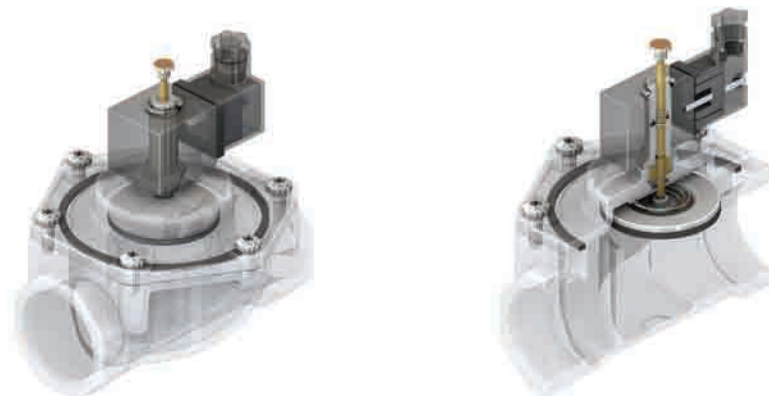
EGV
SERIES

INTRODUCTORY

These are the manually adjusted gas valves used with the safety purposes in the gas lines to automatically stop the gas flow by the effect of the signals given by the third party equipments such as gas alarm detectors, ventilation equipments etc.



EGV 1015 - 1020 - 1025



EGV 1032 - 1040 - 1050

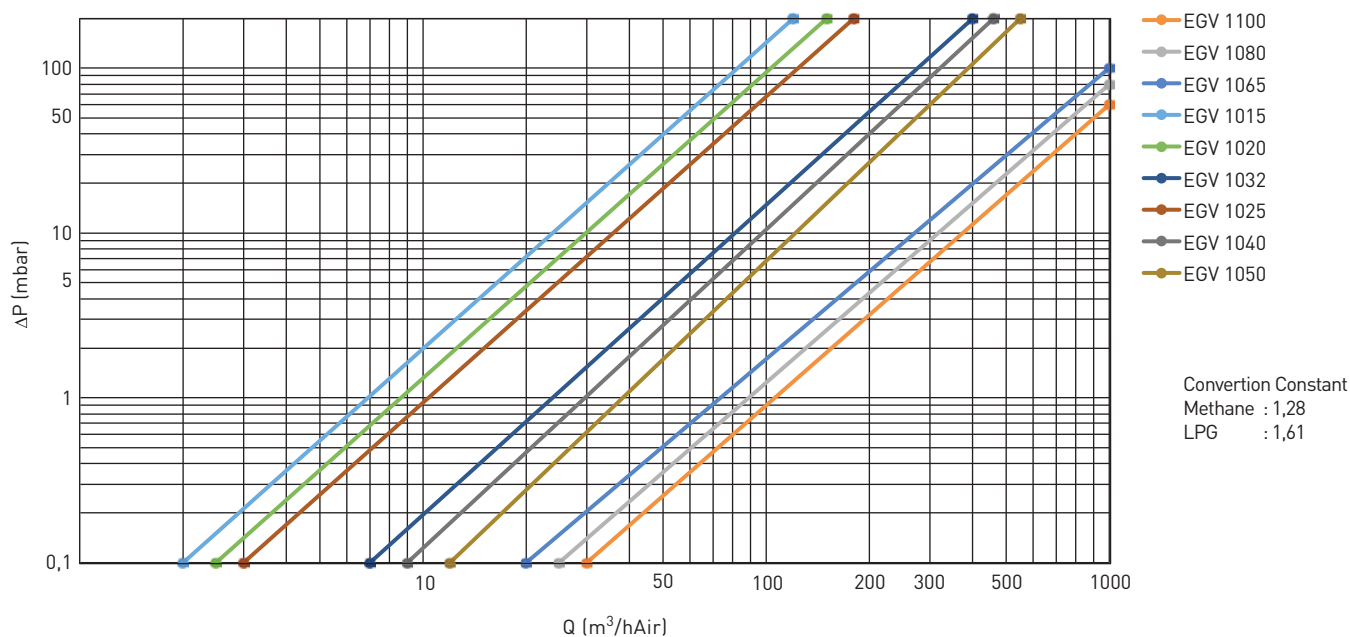


EGV 1065 - 1080 - 1100

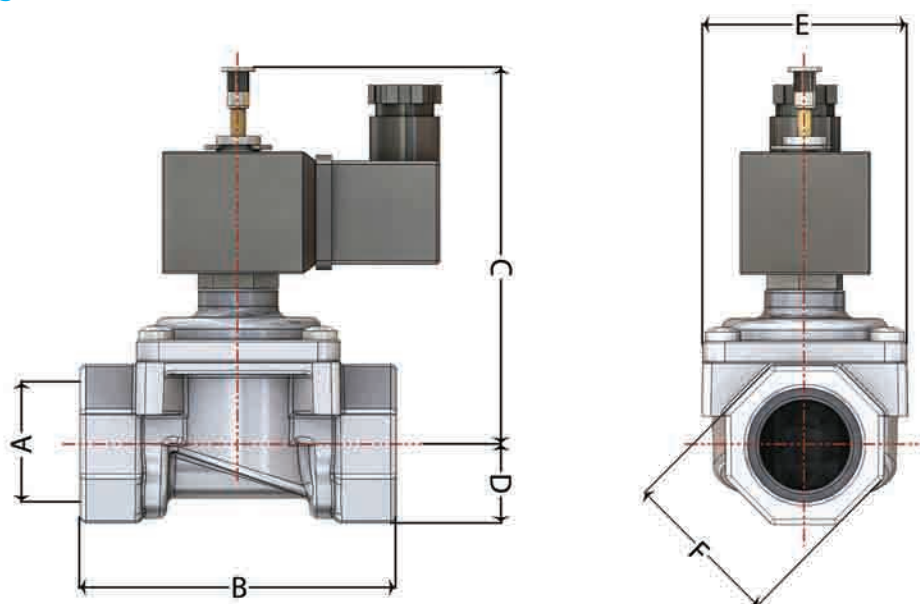
TECHNICAL INFORMATION

- Usage : City gas networks and gas pipelines in industrial areas
- Medium : Natural Gas (Methane), LPG, Town Gas, Air, etc...
- Position : Normally Open
- Connection or Port Size : 1/2", 3/4, 1", 1 1/4", 1 1/2", 2" Threaded (Female), DN65, DN80 DN100 Flanged
- Maximum Working Pressure : 0,5 bar
- Working Voltage Range : 12V, 220V AC or DC (On request other voltages)
- Ambient Temperature Range : -20°C up to 60°C
- Protection Class : IP54
- Voltage Tolerance : ± %10
- Response Time : Less than 1 second
- Reset : Manually
- Material Standard : Aluminum-EN 1706 / Rubber-EN 549

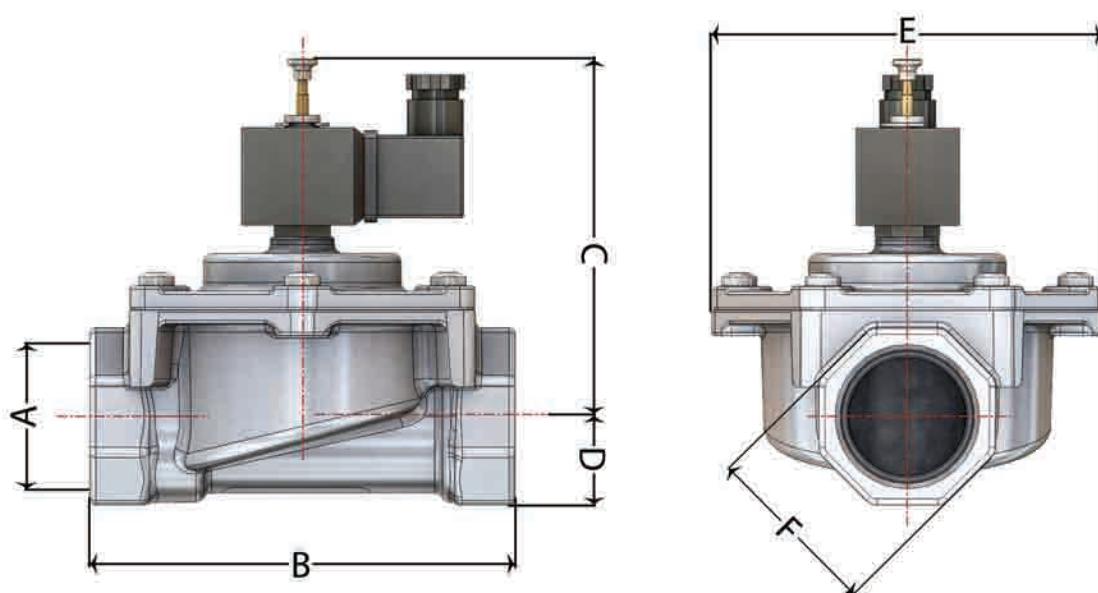
PRESSURE DROP GRAPH



DIMENSIONS

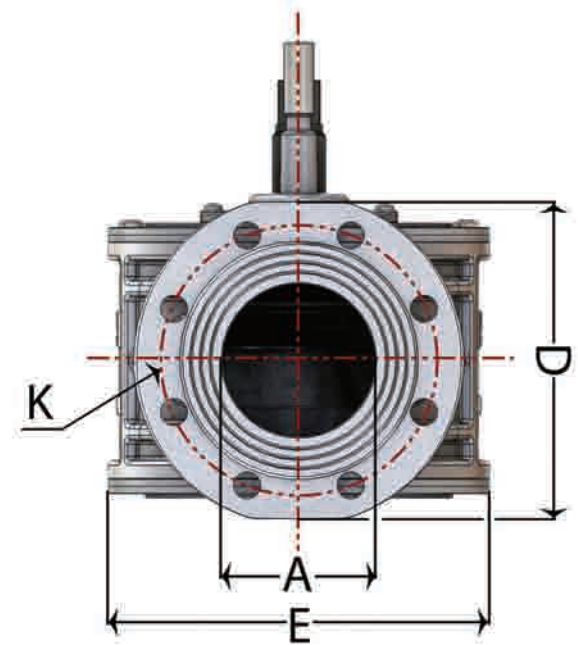
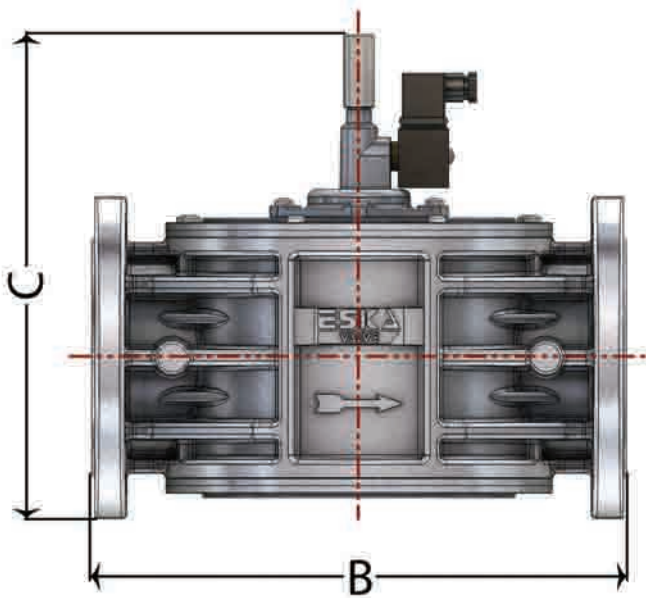
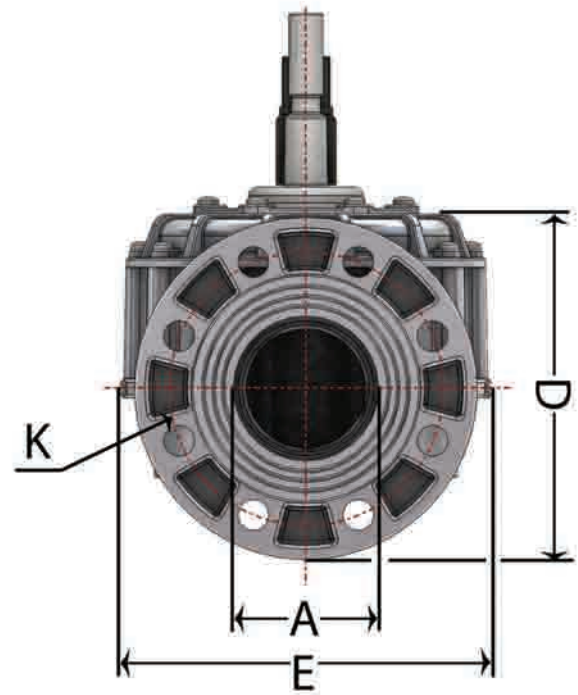
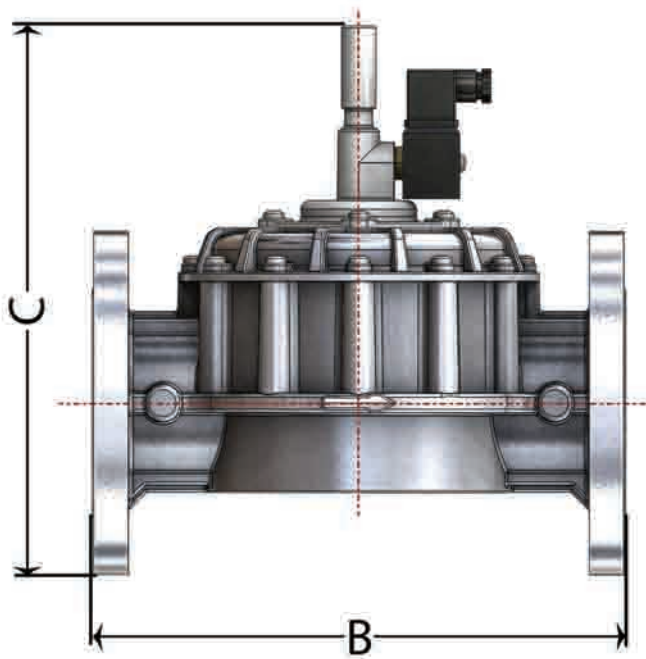


| MODEL | DN | A | B | C | D | E | F |
|----------|----|------|------|-----|------|----|-------|
| EGV 1015 | 15 | 1/2" | 85,5 | 102 | 21,5 | 55 | AA 43 |
| EGV 1020 | 20 | 3/4" | 85,5 | 102 | 21,5 | 55 | AA 43 |
| EGV 1025 | 25 | 1" | 85,5 | 102 | 21,5 | 55 | AA 43 |



| MODEL | DN | A | B | C | D | E | F |
|----------|----|--------|-----|-----|----|-----|-------|
| EGV 1032 | 32 | 1 1/4" | 144 | 125 | 30 | 133 | AA 60 |
| EGV 1040 | 40 | 1 1/2" | 144 | 125 | 30 | 133 | AA 60 |
| EGV 1050 | 50 | 2" | 144 | 127 | 35 | 133 | AA 70 |

DIMENSIONS



| MODEL | DN | A | B | C | D | E | K | Number of holes |
|----------|-----|-----|-----|-----|-----|-----|-----|-----------------|
| EGV 1065 | 65 | 70 | 290 | 312 | 195 | 216 | 145 | 4 |
| EGV 1080 | 80 | 85 | 310 | 320 | 203 | 216 | 160 | 8 |
| EGV 1100 | 100 | 100 | 326 | 320 | 220 | 254 | 180 | 8 |