

BAYLAN

WATER METERS

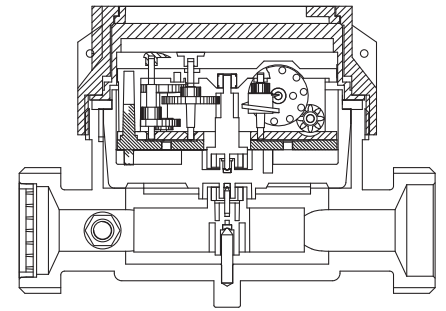
KK-1

Single jet Dry type Water Meter



GENERAL

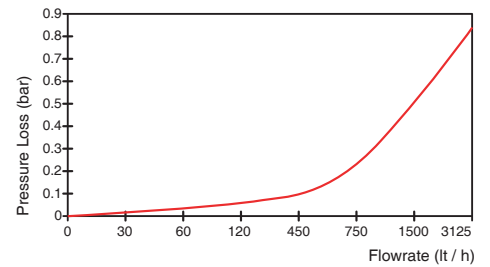
- MID Certified
- Single jet design assures very high sensitivity even at low flows
- Suitable for potable water
- Available for optical reading
- Pulse output and AMR reading features are optional
- Electrostatic painted body made of corrosion resistant brass
- Protection against external magnetic fields
- 3 years of warranty
- Wiper on the glass is optional
- Vacuumed mechanism
- 360° rotating lid
- Suitable for cold water up to 50°C
- Almost no maintenance
- Service and spare parts available for 10 years



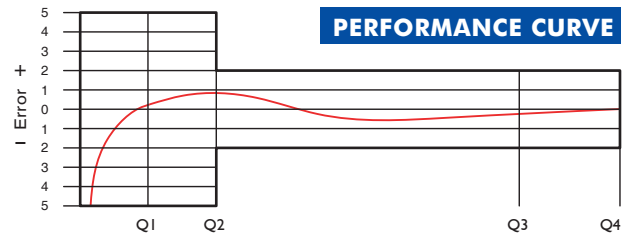
PERFORMANCE DATA

Overload Flowrate	Q4	m ³ /h	3,125	
Permanent Flowrate	Q3	m ³ /h	2,5	
Transitional Flowrate	Q2	m ³ /h	0,025	0,050
Minimum Flowrate	Q1	m ³ /h	0,0156	0,03125
Q3/Q1 (MI-001 OIML R49)	-		≤160	≤80
Mounting on the network	-		H	V
Maximum Registration Capacity	m ³	9999 / 99999 / 99999,99 / 99999,999		
Initial Flow	Qi	l/h	7	
Maximum Working Pressure	bar	16		
Maximum Working Temperature	°C	50		
Pressure Loss	bar	0,63		
Smallest Reading Resolution	m ³ /h	0,00005		
Class	-	Class 1/Class 2		
Quantity per package	-	10		
Package dimensions	cm	21x42,5x16,5		

PRESSURE LOSS CURVE

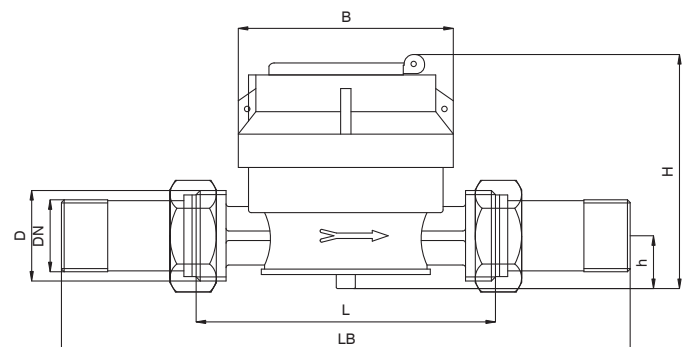


PERFORMANCE CURVE



DIMENSIONS

Nominal diameter	DN	15	20	mm
Connecting diameter	D	G 3/4	G 1	B
Total overall meter height	H	84	84	mm
Axis height	h	20	20	mm
Length	L	110/115	110/115	mm
Width	B	79	79	mm
Length with connections	LB	190/195	190/195	mm
Unit weight		0,72	0,70	kg
Package Weight (without connections)		7,78	7,60	kg
Package Weight (with connections)		9,38	9,50	kg



BAYLAN

WATER METERS

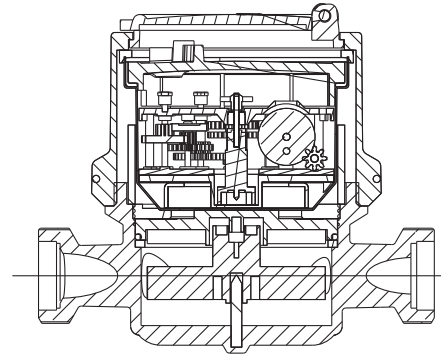
KK-12

Single jet Dry type Water Meter



GENERAL

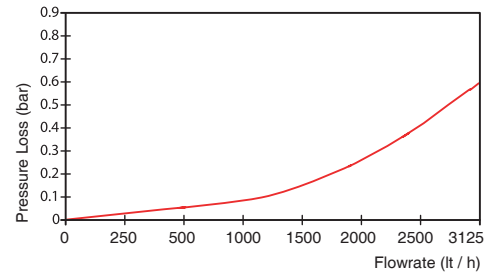
- MID Certificated
- Single jet design assures very high sensitivity even at low flows
- Pulse output and AMR reading features are optional
- With stainless steel register cup
- Vacuum mechanism
- Electrostatic painted body made of corrosion resistant brass
- Protection against external magnetic fields
- Suitable for potable water
- Available for optical reading
- 3 years of warranty • Almost no maintenance
- Suitable for cold water up to 50°C
- Service and spare parts available for 10 years



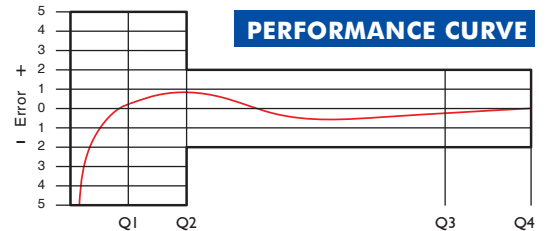
PERFORMANCE DATA

Overload Flowrate	Q4	m ³ /h	3,125	
Permanent Flowrate	Q3	m ³ /h	2,5	
Transitional Flowrate	Q2	m ³ /h	0,020	0,050
Minimum Flowrate	Q1	m ³ /h	0,0125	0,03125
Q3/Q1 (MI-001 OIML R49)	-		≤200	≤80
Mounting on the network	-		H	V
Maximum Registration Capacity	m ³	9999 / 99999 / 99999,99 / 99999,999		
Initial Flow	Qi	l/h	5	
Maximum Working Pressure	bar	16		
Maximum Working Temperature	°C	50		
Pressure Loss	bar	0,63		
Smallest Reading Resolution	m ³ /h	0,00005		
Class	-	Class 1/Class 2		
Quantity per package	-	10		
Package dimensions	cm	21x43x17		

PRESSURE LOSS CURVE

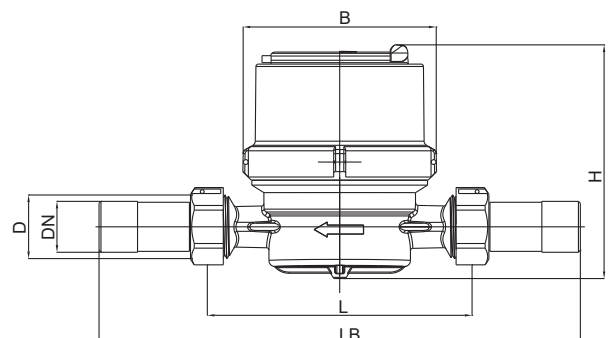


PERFORMANCE CURVE



DIMENSIONS

Nominal diameter	DN	15	20	mm
Connecting diameter	D	G 3/4	G 1	B
Total overall meter height	H	90,5	90,5	mm
Axis height	h	18,5	18,5	mm
Length	L	110/115	110/115	mm
Width	B	81	81	mm
Length with connections	LB	190/195	190/195	mm
Unit weight		0,67	0,67	kg
Package Weight (without connections)		7,36	7,36	kg
Package Weight (with connections)		8,96	9,26	kg



"Due to continuous development of our products, we reserve the right to modify our product design or construction without prior notice."

BAYLAN

WATER METERS

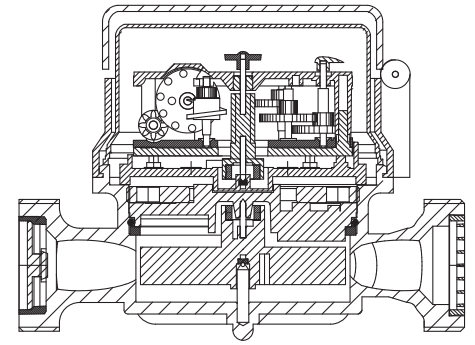
KK-12

Single jet Dry type Water Meter



GENERAL

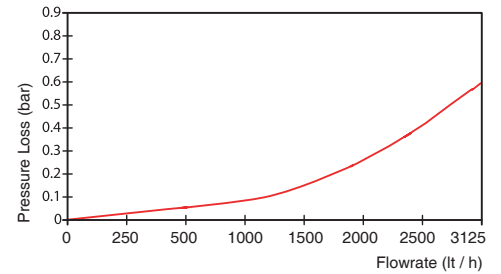
- MID Certificated
- Single jet design assures very high sensitivity even at low flows
- Pulse output and AMR reading features are optional
- Plastic upper body with high resistance to pressure and impacts
- 359° rotating dial
- Vacuum mechanism
- Electrostatic painted body made of corrosion resistant brass
- Protection against external magnetic fields
- Suitable for potable water
- Available for optical reading
- 3 years of warranty • Almost no maintenance
- Suitable for cold water up to 50°C
- Service and spare parts available for 10 years



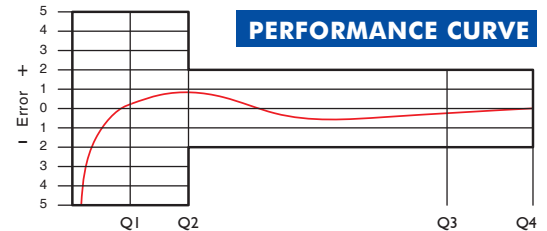
PERFORMANCE DATA

Overload Flowrate	Q4	m ³ /h	3,125	
Permanent Flowrate	Q3	m ³ /h	2,5	
Transitional Flowrate	Q2	m ³ /h	0,020	0,050
Minimum Flowrate	Q1	m ³ /h	0,0125	0,03125
Q3/Q1 (MI-001 OIML R49)	-		≤200	≤80
Mounting on the network	-		H	V
Maximum Registration Capacity	m ³		9999 / 99999 / 99999,99 / 99999,999	
Initial Flow	Qi	l/h	5	
Maximum Working Pressure	bar		16	
Maximum Working Temperature	°C		50	
Pressure Loss	bar		0,63	
Smallest Reading Resolution	m ³ /h		0,00005	
Class	-		Class 1/Class 2	
Quantity per package	-		10	
Package dimensions	cm		21x43x17	

PRESSURE LOSS CURVE

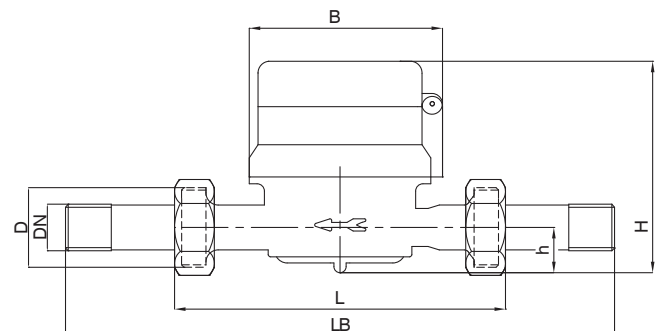


PERFORMANCE CURVE



DIMENSIONS

Nominal diameter	DN	15	20	mm
Connecting diameter	D	G 3/4	G 1	B
Total overall meter height	H	84,7	84,7	mm
Axis height	h	17	17	mm
Length	L	110/115	110/115	mm
Width	B	74,5	74,5	mm
Length with connections	LB	190/195	190/195	mm
Unit weight		0,54	0,54	kg
Package Weight (without connections)		5,90	5,90	kg
Package Weight (with connections)		7,50	7,80	kg



"Due to continuous development of our products, we reserve the right to modify our product design or construction without prior notice."

BAYLAN

WATER METERS

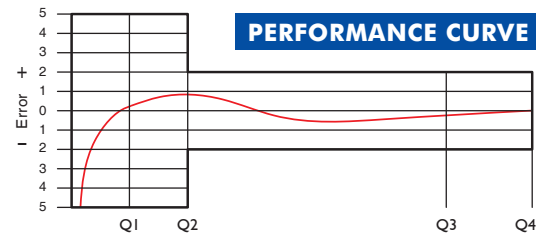
KK-13

Single jet Dry type Water Meter



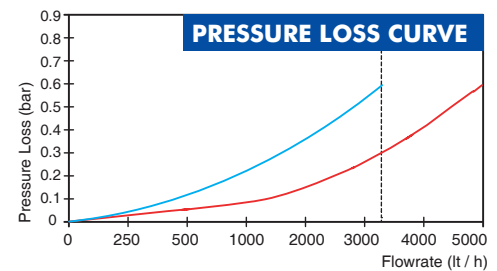
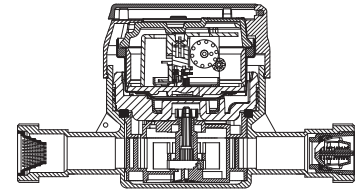
GENERAL

- MID Certified
- Single jet design assures very high sensitivity even at low flows
- 359° rotating dial • Suitable for potable water
- Vacuumed mechanism
- With stainless steel register cup
- Available for optical reading
- AMR reading features are optional
- Electrostatic painted body made of corrosion resistant brass
- Protection against external magnetic fields
- 8 roller register
- Available for optical reading
- 3 years of warranty • Almost no maintenance
- Suitable for cold water up to 50°C
- Service and spare parts available for 10 years



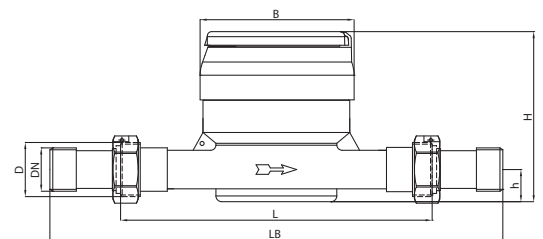
PERFORMANCE DATA

Nominal diameter	DN	mm	15	20				
Overload Flowrate	Q4	m ³ /h	3,125	3,125	5			
Permanent Flowrate	Q3	m ³ /h	2,5	2,5	4			
Transitional Flowrate	Q2	m ³ /h	0,025	0,050	0,025	0,050	0,0256	0,08
Minimum Flowrate	Q1	m ³ /h	0,0156	0,0312	0,0156	0,0312	0,016	0,05
Q3/Q1 (MI-001 OIML R49)	-		≤160	≤80	≤160	≤80	≤250	≤80
Mounting on the network	-		H	V	H	V	H	V
Length	L		110/115/165/170	110/115/190	190			
Maximum Registration Capacity	m ³		99999,999					
Initial Flow	Qi	l/h	4					
Maximum Working Pressure	bar		16					
Maximum Working Temperature	°C		50					
Pressure Loss	bar		0,63					
Smallest Reading Resolution	m ³ /h		0,00005					
Class	-		Class 1/Class 2					
Quantity per package	-		10					



DIMENSIONS

Nominal diameter	DN	15	20	mm
Connecting diameter	D	G 3/4	G 1	B
Total overall meter height	H	106,5	106,5	mm
Axis height	h	20	20	mm
Length	L	110/115/165/170	110/115/190	mm
Width	B	95	95	mm
Length with connections	LB	190/195/245/250	190/195/270	mm
Unit weight		0,88	0,95	kg
Package Weight (without connect)		9,60	10,30	kg
Package Weight (with connect)		11,20	12,20	kg
Package dimensions		27x48x20	27x52x22	cm



"Due to continuous development of our products, we reserve the right to modify our product design or construction without prior notice."

BAYLAN

WATER METERS

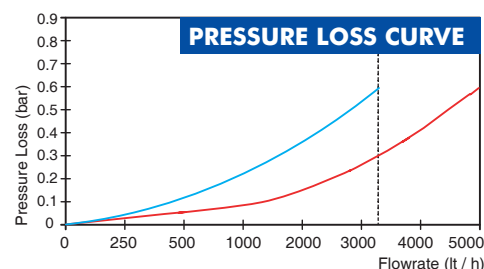
KK-14

Single jet Dry type Water Meter



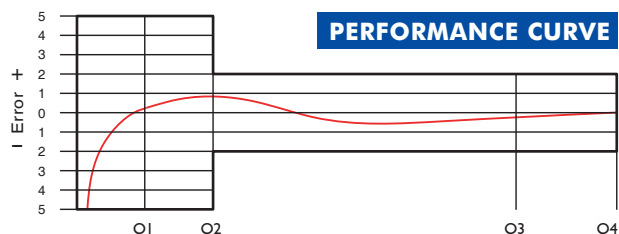
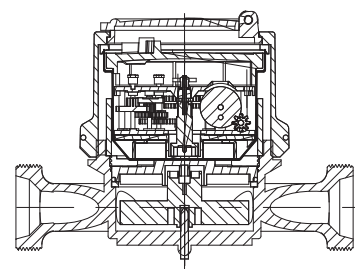
GENERAL

- MID Certified
- Single jet design assures very high sensitivity even at low flows
- With stainless steel register cup
- 360° rotating lid
- Suitable for potable water
- Available for optical reading
- Pulse output and AMR reading features are optional
- Electrostatic painted body made of corrosion resistant brass
- Protection against external magnetic fields
- Vacuumed mechanism
- Suitable for cold water up to 50°C
- Almost no maintenance
- 3 years of warranty
- Service and spare parts available for 10 years



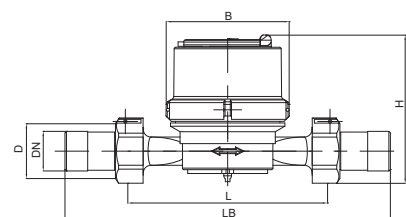
PERFORMANCE DATA

Nominal diameter	DN	mm	15 / 20		20	
Overload Flowrate	Q4	m ³ /h	3,125		5	
Permanent Flowrate	Q3	m ³ /h	2,5		4	
Transitional Flowrate	Q2	m ³ /h	0,020	0,050	0,032	0,08
Minimum Flowrate	Q1	m ³ /h	0,0125	0,0312	0,020	0,05
Q3/Q1 (MI-001 OIML R49)	-		≤200	≤80	≤200	≤80
Mounting on the network	-		H	V	H	V
Maximum Registration Capacity	m ³		9999 / 99999 / 99999,99 / 99999,999			
Initial Flow	Qi	l/h	5			
Maximum Working Pressure	bar		16			
Maximum Working Temperature	°C		50			
Pressure Loss	bar		0,63			
Smallest Reading Resolution	m ³ /h		0,00005			
Class	-		Class 1/Class 2			
Quantity per package	-		10			



DIMENSIONS

Nominal diameter	DN	15	15	20	20	mm				
Connecting diameter	D	G 3/4	G 3/4	G 1	G 1	B				
Total overall meter height	H	95	95	95	95	mm				
Axis height	h	17,5	17,5	17,5	17,5	mm				
Width	B	81	81	81	81	mm				
Length	L	110	115	130	145	mm				
Length with connections	LB	190	195	210	225	mm				
Unit weight		0,61	0,63	0,65	0,70	0,62	0,64	0,75	0,72	kg
Package Weight (without connections)		6,86	7,06	7,26	7,76	6,96	7,16	8,12	7,96	kg
Package Weight (with connections)		8,46	8,66	8,86	9,36	8,86	9,06	10,0	9,86	kg
Package dimensions		22x43x17	22x43x17	22x43x17	22x43x17	cm				



"Due to continuous development of our products, we reserve the right to modify our product design or construction without prior notice."

BAYLAN

WATER METERS

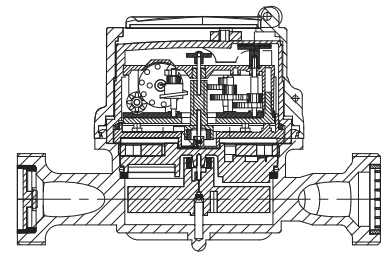
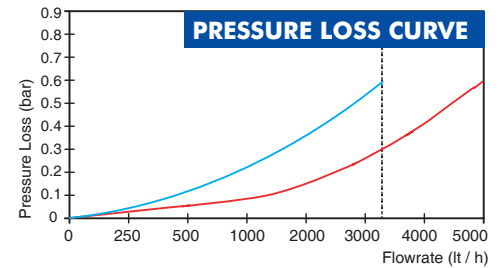
KK-14

Single jet Dry type Water Meter



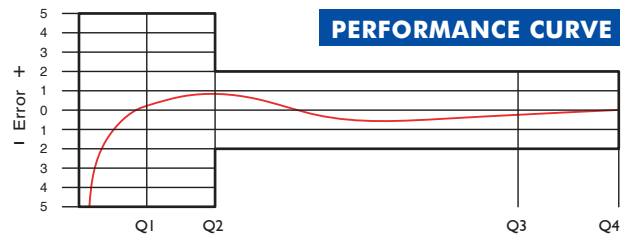
GENERAL

- MID Certified
- Single jet design assures very high sensitivity even at low flows
- 360° rotating lid
- Suitable for potable water
- Available for optical reading
- Pulse output and AMR reading features are optional
- Electrostatic painted body made of corrosion resistant brass
- Protection against external magnetic fields
- Vacuumed mechanism
- Suitable for cold water up to 50°C
- Almost no maintenance
- 3 years of warranty
- Service and spare parts available for 10 years



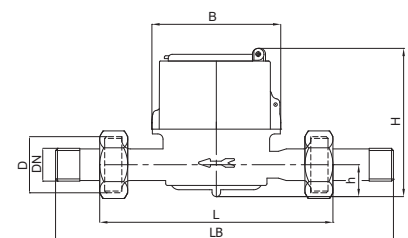
PERFORMANCE DATA

Nominal diameter	DN	mm	15 / 20		20	
Overload Flowrate	Q4	m ³ /h	3,125		5	
Permanent Flowrate	Q3	m ³ /h	2,5		4	
Transitional Flowrate	Q2	m ³ /h	0,020	0,050	0,032	0,08
Minimum Flowrate	Q1	m ³ /h	0,0125	0,0312	0,020	0,05
Q3/Q1 (MI-001 OIML R49)	-		≤200	≤80	≤200	≤80
Mounting on the network	-		H	V	H	V
Maximum Registration Capacity	m ³		9999 / 99999 / 99999,99 / 99999,999			
Initial Flow	Qi	l/h	5			
Maximum Working Pressure	bar		16			
Maximum Working Temperature	°C		50			
Pressure Loss	bar		0,63			
Smallest Reading Resolution	m ³ /h		0,00005			
Class	-		Class 1/Class 2			
Quantity per package	-		10			



DIMENSIONS

Nominal diameter	DN	15	15	20	20	mm
Connecting diameter	D	G 3/4	G 3/4	G 1	G 1	B
Total overall meter height	H	85	85	85	85	mm
Axis height	h	17,5	17,5	17,5	16,5	mm
Width	B	74	74	74	74	mm
Length	L	110 115	130 145	110 115	130 145	mm
Length with connections	LB	190 195	210 225	190 195	210 225	mm
Unit weight		0,50	0,54	0,51	0,58	kg
Package Weight (without connections)		5,76	6,16	5,60	6,39	kg
Package Weight (with connections)		7,36	7,76	7,50	8,29	kg
Package dimensions		22x43x17	22x43x17	22x43x17	22x43x17	cm

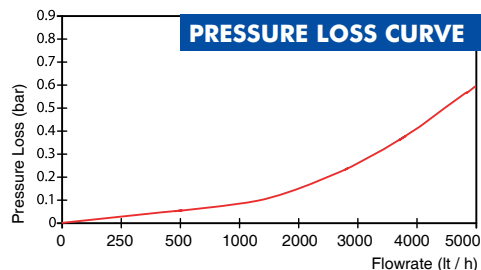
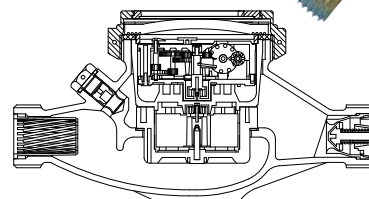


"Due to continuous development of our products, we reserve the right to modify our product design or construction without prior notice."

BAYLAN

WATER METERS

TK-2 Multi jet Dry type Water Meter

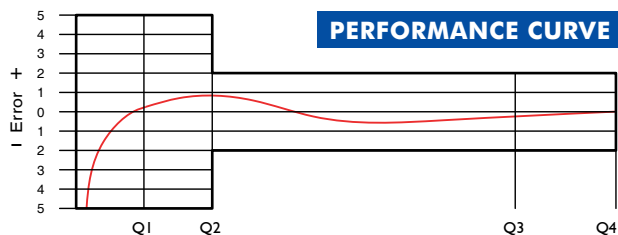


GENERAL

- MID Certified
- Multi jet working principle assures a long service time
- Suitable for potable water
- Low pressure loss, high sensitivity at initial flow
- Protection against external magnetic fields
- Special glass with high resistance to pressure and impact
- Electrostatic painted body made of corrosion resistant brass
- Available for optical reading • 360° rotating lid
- Pulse output and AMR reading features are optional
- 3 years of warranty • Non return valve
- Suitable for cold water up to 50°C
- Almost no maintenance • Vacuumed mechanism
- Stainless steel register cup is optional
- Service and spare parts available for 10 years

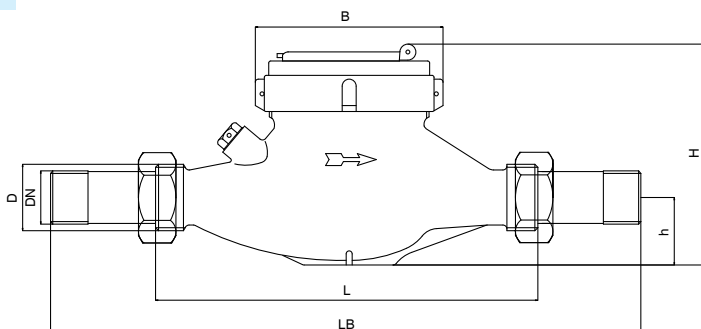
PERFORMANCE DATA

	MID-001				75/33/EC		
Permanent Flowrate	Q3	(m ³ /h): 4			Qn	2.5	
Overload Flowrate	Q4	(m ³ /h): 5			Qmax	5.0	
Transitional Flowrate	Q2	(m ³ /h): 0.064	0.0512	0.04	0.032	Qt	0.0375
Minimum Flowrate	Q1	(m ³ /h): 0.04	0.032	0.025	0.02	Qmin	0.025
Q3/Q1 (MI-001 OIML R49)		: 100	125	160	200		160
Maximum Registration Capacity	(m ³)	: 9999 / 99999 / 99999,99 / 99999,999					
Initial Flowrate	Qi	(l/h) : 5					
Maximum Working Pressure	(bar)	: 16					
Maximum Working Temperature	(°C)	: 50					
Pressure Loss (Q3)	(bar)	: 0.6					
Smallest Reading Resolution	(m ³)	: 0.00005					
Class		: Class 1 / Class 2					
Mounting on the network		: Horizontal					
Unit weight	(kg)	: 1.33					
Package Weight (without connections)	(kg)	: 14.20					
Package Weight (with connections)	(kg)	: 16.10					
Quantity per package		: 10					
Package dimensions	(cm)	: 25x46.5x22					



DIMENSIONS

Nominal diameter	DN	20	mm
Connecting diameter	D	G 1	B
Total overall meter height	H	110	mm
Axis height	h	33	mm
Length	L	190	mm
Width	B	92	mm
Length with connections	LB	270	mm

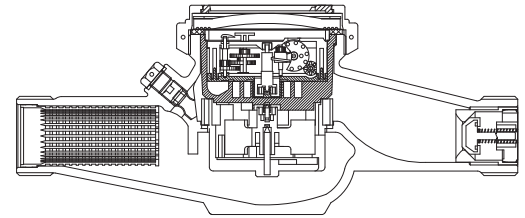


BAYLAN

WATER METERS

TK-26

Multi jet Dry type Water Meter



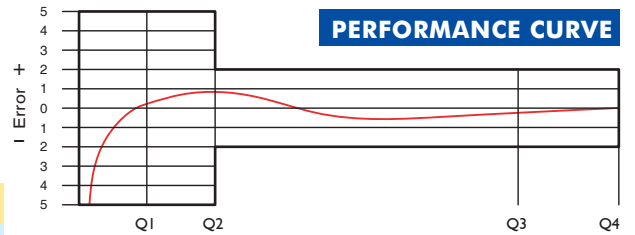
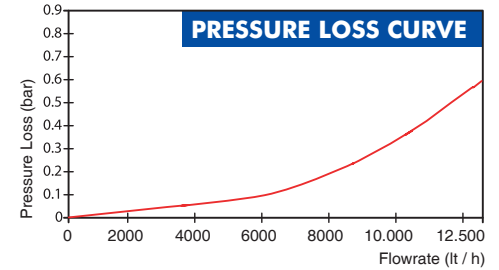
GENERAL

- MID Certified
- Multi jet working principle assures a long service time
- Suitable for potable water
- 360° rotating lid
- Low pressure loss, high sensitivity at initial flow
- Electrostatic painted body made of corrosion resistant brass
- Protection against external magnetic fields
- Available for optical reading • Non return valve
- Pulse output and AMR reading features are optional
- 3 years of warranty • Almost no maintenance
- Suitable for cold water up to 50°C
- Service and spare parts available for 10 years



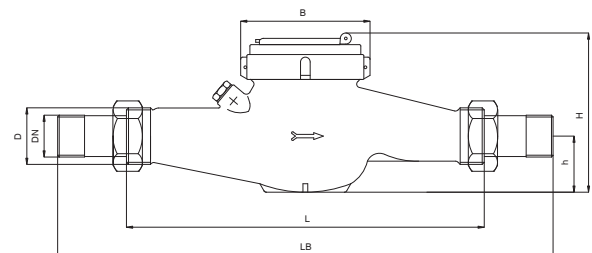
PERFORMANCE DATA

Overload Flowrate	Q4	m ³ /h	12,5
Permanent Flowrate	Q3	m ³ /h	10
Transitional Flowrate	Q2	m ³ /h	0,064
Minimum Flowrate	Q1	m ³ /h	0,04
Q3/Q1 (MI-001 OIML R49)			≤250
Mounting on the network			Horizontal
Maximum Registration Capacity			99999 / 99999,99 / 99999,999
Initial Flowrate	Qi	l/h	9
Maximum Working Pressure	bar		16
Maximum Working Temperature	°C		50
Pressure Loss	bar		0,63
Smallest Reading Resolution	m ³		0,00005
Class			Class 1 / Class 2



DIMENSIONS

Nominal diameter	DN	25	32	mm
Connecting diameter	D	G1 1/4	G1 1/2	B
Total overall meter height	H	120,5	124	mm
Axis height	h	40,8	47	mm
Width	B	92	92	mm
Length	L	260	260	mm
Length with connections	LB	380	380	mm
Unit weight		2,21	2,24	kg
Package Weight (without connect)		23,34	23,39	kg
Package Weight (with connect)		27,84	30,19	kg
Quantity per package		10	10	pcs
Package dimensions		26x52x30	26x52x30	cm



"Due to continuous development of our products, we reserve the right to modify our product design or construction without prior notice."

BAYLAN

WATER METERS

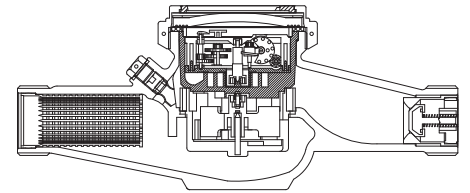
TK-3C

Multi jet Dry type Water Meter



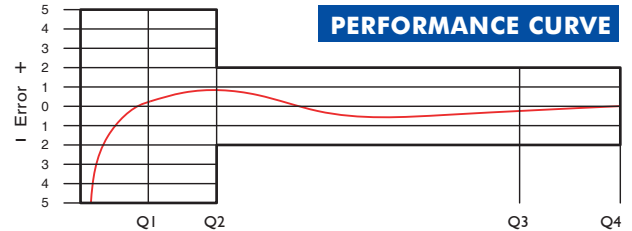
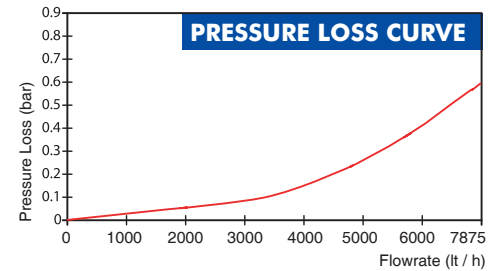
GENERAL

- MID Certified • Impeller chamber strainer (Optional)
- Multi jet working principle assures a long service time
- Suitable for potable water
- 360° rotating lid
- Low pressure loss, high sensitivity at initial flow
- Electrostatic painted body made of corrosion resistant brass
- Protection against external magnetic fields
- Available for optical reading • Non return valve
- Pulse output and AMR reading features are optional
- 3 years of warranty • Almost no maintenance
- Stainless steel register cup is optional
- Suitable for cold water up to 50°C
- Service and spare parts available for 10 years



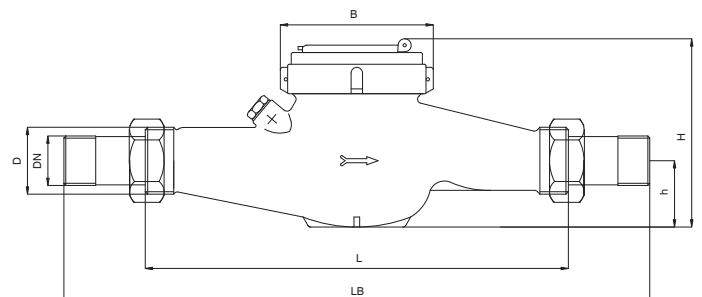
PERFORMANCE DATA

Overload Flowrate	Q4	m ³ /h	7,875
Permanent Flowrate	Q3	m ³ /h	6,3
Transitional Flowrate	Q2	m ³ /h	0,04032
Minimum Flowrate	Q1	m ³ /h	0,0252
Q3/Q1 (MI-001 OIML R49)			≤250
Mounting on the network			Horizontal
Maximum Registration Capacity			99999 / 99999,99 / 99999,999
Initial Flowrate	Qi	l/h	7
Maximum Working Pressure		bar	16
Maximum Working Temperature		°C	50
Pressure Loss		bar	0,63
Smallest Reading Resolution		m ³	0,00005
Class			Class 1 / Class 2
Quantity per package			10



DIMENSIONS

Nominal diameter	DN	25	mm
Connecting diameter	D	G1 1/4	B
Total overall meter height	H	124	mm
Axis height	h	41,5	mm
Length	L	260	mm
Width	B	92	mm
Length with connections	LB	380	mm
Unit weight		1,87	kg
Package Weight (without connect)		19,70	kg
Package Weight (with connect)		24,10	kg
Package dimensions		26x52x30	cm



"Due to continuous development of our products, we reserve the right to modify our product design or construction without prior notice."

BAYLAN

WATER METERS

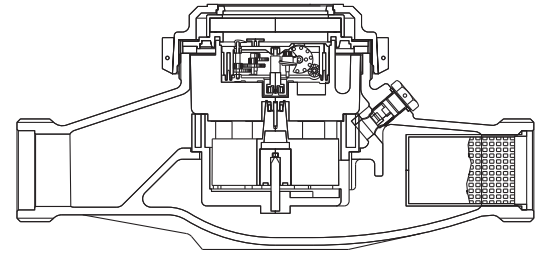
TK-5C

Multi jet Dry type Water Meter



GENERAL

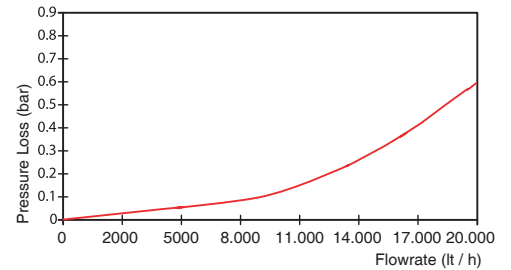
- MID Certified • Impeller chamber strainer (Optional)
- Multi jet working principle assures a long service time
- Low pressure loss, high sensitivity at initial flow
- Vacuumed mechanism • Suitable for potable water
- Electrostatic painted body made of corrosion resistant brass
- Protection against external magnetic fields
- Available for optical reading
- Pulse output and AMR reading features are optional
- 3 years of warranty • Non return valve
- Suitable for cold water up to 50°C
- Almost no maintenance • 360° rotating lid
- Stainless steel register cup is optional
- Service and spare parts available for 10 years



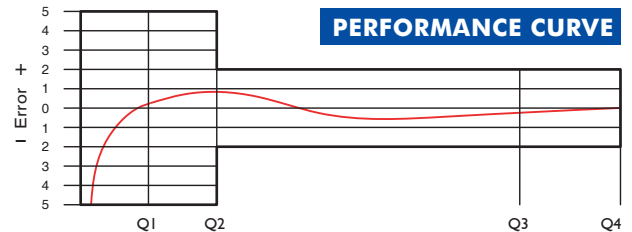
PERFORMANCE DATA

Overload Flowrate	Q4	m ³ /h	20
Permanent Flowrate	Q3	m ³ /h	16
Transitional Flowrate	Q2	m ³ /h	0,128
Minimum Flowrate	Q1	m ³ /h	0,08
Q3/Q1 (MI-001 OIML R49)			≤200
Mounting on the network			Horizontal
Maximum Registration Capacity			99999 / 99999,99 / 99999,999
Initial Flowrate	Qi	l/h	15
Maximum Working Pressure		bar	16
Maximum Working Temperature		°C	50
Pressure Loss		bar	0,63
Smallest Reading Resolution		m ³	0,00005
Class			Class 1 / Class 2
Quantity per package			4

PRESSURE LOSS CURVE

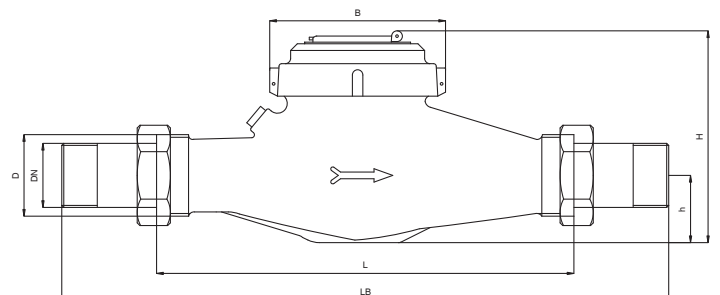


PERFORMANCE CURVE



DIMENSIONS

Nominal diameter	DN	40	mm
Connecting diameter	D	G 2	B
Total overall meter height	H	148	mm
Axis height	h	42	mm
Length	L	300	mm
Width	B	135	mm
Length with connections	LB	438	mm
Unit weight		4,18	kg
Package Weight (without connect)		18,05	kg
Package Weight (with connect)		22,00	kg
Package dimensions		34x37x36	cm



"Due to continuous development of our products, we reserve the right to modify our product design or construction without prior notice."

BAYLAN

WATER METERS

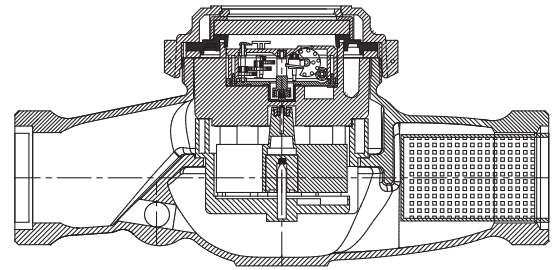
TK-7C

Multi jet Dry type Water Meter



GENERAL

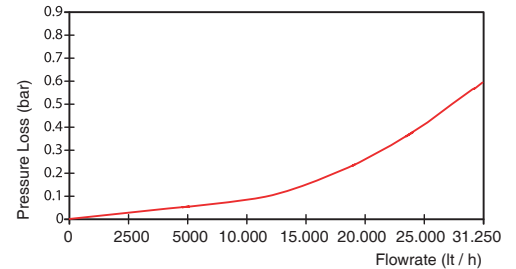
- MID Certified • Impeller chamber strainer (Optional)
- Multi jet working principle assures a long service time
- Low pressure loss, high sensitivity at initial flow
- 360° rotating lid
- Good sensitivity at starting flow
- Vacuumed mechanism
- Electrostatic painted body made of corrosion resistant brass
- Protection against external magnetic fields
- Available for optical reading • Non return valve
- Pulse output and AMR reading features are optional
- 3 years of warranty • Almost no maintenance
- Suitable for cold water up to 50°C
- Stainless steel register cup is optional
- Service and spare parts available for 10 years



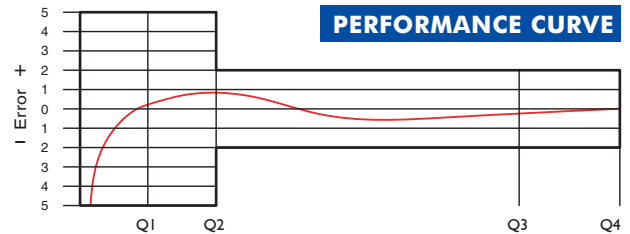
PERFORMANCE DATA

Overload Flowrate	Q4	m ³ /h	31,25
Permanent Flowrate	Q3	m ³ /h	25
Transitional Flowrate	Q2	m ³ /h	0,200
Minimum Flowrate	Q1	m ³ /h	0,125
Q3/Q1 (MI-001 OIML R49)			≤200
Mounting on the network			Horizontal
Maximum Registration Capacity			99999 / 99999,99 / 99999,999
Initial Flowrate	Qi	l/h	20
Maximum Working Pressure		bar	16
Maximum Working Temperature		°C	50
Pressure Loss		bar	0,63
Smallest Reading Resolution		m ³	0,00005
Class			Class 1 / Class 2
Quantity per package			4

PRESSURE LOSS CURVE

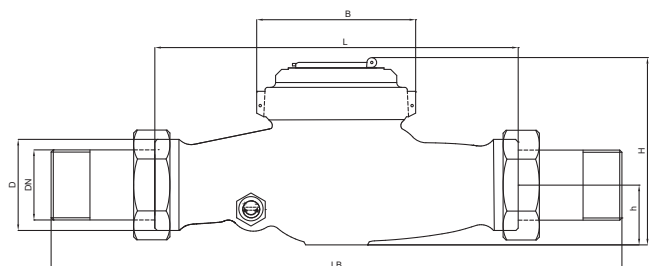


PERFORMANCE CURVE



DIMENSIONS

Nominal diameter	DN	50	mm
Connecting diameter	D	21/2	B
Total overall meter height	H	153,5	mm
Axis height	h	50	mm
Length	L	300	mm
Width	B	142	mm
Length with connections	LB	438	mm
Unit weight		5,17	kg
Package Weight (without connect)		22,41	kg
Package Weight (with connect)		28,69	kg
Package dimensions		34x37x36	cm



BAYLAN

WATER METERS

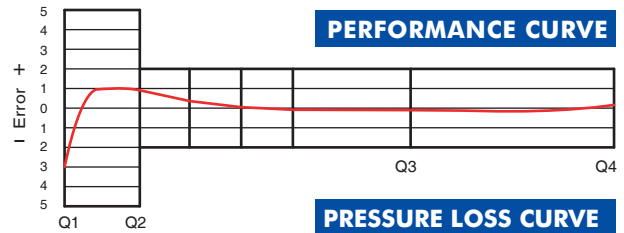
WOLTMANN Type Cold Water Meters



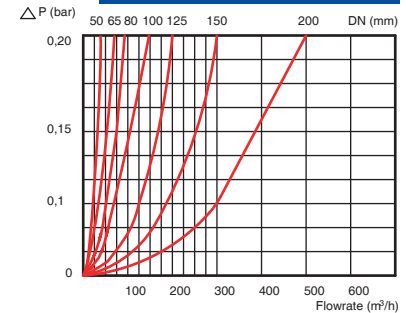
GENERAL

- MID Certified
- Suitable for all positions (Horizontal, Vertical, Inclined)
- Woltmann type design for industrial applications
- IP68 protected dry type mechanism
- Suitable for potable water
- Low pressure loss, high sensitivity at initial flow
- Body internally/externally e/p powder painted
- Optical reading available • 3 years of warranty
- Pulse output and AMR reading features are optional
- Special, thick glass with resistance to impacts
- Almost no maintenance
- Service and spare parts available for 10 years

PERFORMANCE CURVE



PRESSURE LOSS CURVE



MAIN TECHNICAL DATA

At low flows : $\pm 5\%$ (error) between minimum flow rate (Q₁) and transitional flow rate (Q₂)
 At high flows : $\pm 2\%$ (error) between transitional flow rate (Q₂) and overload flow rate (Q₄)
 Max. Working Temperature : 50°C
 Max. Working Pressure : 16 bar

METER SIZE DIA (mm)	TYPE	Q ₃ / Q ₁	Q ₄ MAX FLOW	Q ₃ NOM. FLOW	Q ₂ TRANSITIONAL FLOW	Q ₁ MIN. FLOW	SMALLEST READING RESOLUT.	MAX. REGISTRATION CAPACITY
			m ³ /h					
50	W 6	25/50/63/80	31,25	25	1,600/0,800/0,635/0,500	1,000/0,500/0,397/0,313	0,001	999999
65	W 0	25/50/63/80	50	40	2,560/1,280/1,015/0,800	1,600/0,800/0,634/0,500	0,001	999999
80	W 1	25/50/63/80	78,75	63	4,032/2,016/1,600/1,260	2,520/1,260/1,000/0,788	0,001	999999
100	W 2	25/50/63/80	125	100	6,400/3,200/2,540/2,000	4,000/2,000/1,587/1,250	0,001	999999
125	W 3	25/50/63/80	200	160	10,240/5,120/4,063/3,200	6,400/3,200/2,540/2,000	0,001	999999
150	W 4	25/50/63/80	312,5	250	16,000/8,000/6,350/5,000	10,000/5,000/3,968/3,125	0,01	9999999
200	W 5	25/50/63/80	500	400	25,600/12,800/10,158/8,000	16,000/8,000/6,349/5,000	0,01	9999999

DIMENSIONS & WEIGHTS

METER SIZE DIA (mm)	L LENGTH	B WIDTH	H HEIGHT	CONNECTING FLANGE			PACKAGE WEIGHT (Without Flange) (kg)	PACKAGE WEIGHT (With Flange) (kg)
				D2 (mm) FLANGE DIA	D1 (mm) BOLT CIRCLE DIA.	CONNECTION BOLT (PCS-DIA)		
50	200	165	215	165	125	4 - M16	12.60	18.45
65	200	185	235	185	145	2-M16 + 2-M14	13.90	20.32
80	225	200	240	200	160	8 - M16	15.60	22.55
100	250	220	245	220	180	8 - M16	18.10	25.56
125	250	250	260	250	210	8 - M16	19.85	29.75
150	300	285	310	285	240	8 - M20	49.20	62.30
200	350	340	385	340	295	8 - M20	67.55	81.20

"Due to continuous development of our products, we reserve the right to modify our product design or construction without prior notice."

BAYLAN

WATER METERS

Ultrasonic Water Meters



GENERAL

- MID Certified • No measurement of air • Reverse flow detection
- Ultrasonic working principle assures very high sensitivity even at low flow
- Meters are protected against tampering by Seal Stickers with BAYLAN brandname hologram, approved by Metrology Institute
- Calibration is done inside the electronic circuit digitally by software parameters, which is not possible to modify externally
- The compact design uses ultrasonic measurement technology
- Due to the lack of moving parts, high measurement accuracy
- Suitable for potable water • Advanced service network
- Very good sensitivity in initial starting • Suitable for cold water up to 50°C
- Radio Frequency automatic remote reading • Modbus interfaces (Optional)
- Wide dynamic measuring range and low pressure loss
- Solid stainless steel reflector • Can be mounted all positions desired
- IP 68 protection class • M-Bus & wM-Bus interfaces
- Lithium battery, 10 years lifetime • 3 years of warranty
- Service and spare parts available for 10 years



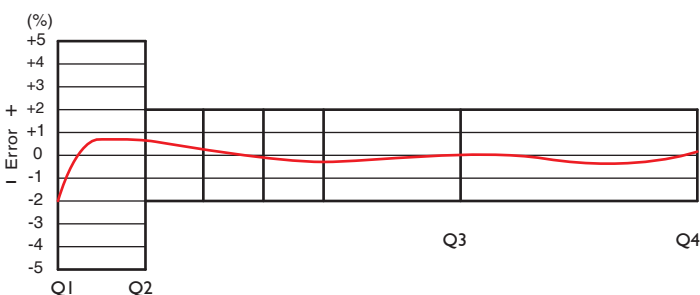
MAIN TECHNICAL DATA

DN NOMINAL DIAMETER	TYPE	Q3 PERMANENT FLOWRATE	Q4 OVERLOAD FLOWRATE	Q2 TRANSITIONAL FLOWRATE	Q1 MINIMUM FLOWRATE	PRESSURE LOSS CLASS	MAX. WORKING TEMPERA.	Q3/Q1 (MI-001 OIML R49)	MAX. REGISTRATION CAPACITY	SMALLEST READING RESOLUTION
(mm)		m ³ / h					°C		m ³	
15	U-1	2,5	3,125	0,016	0,010	ΔP 25	50	≤250	999999	0,00001
20	U-2	4	5	0,0256	0,016	ΔP 16	50	≤250	999999	0,00001
25	U-3	6,3	7,875	0,040	0,025	ΔP 16	50	≤250	999999	0,00001
32	U-4	10	12,5	0,064	0,040	ΔP 16	50	≤250	999999	0,00001
40	U-5	16	20	0,1024	0,064	ΔP 16	50	≤250	999999	0,00001

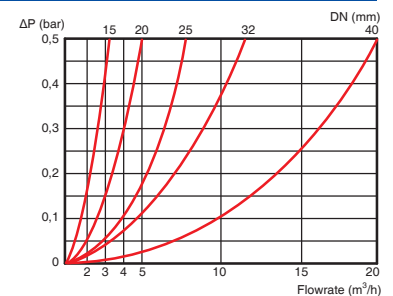
DIMENSIONS & WEIGHTS

DN NOMINAL DIAMETER	D CONNECTING DIAMETER	H TOTAL METER HEIGHT	h AXIS HEIGHT	L LENGTH	B WIDTH	LB LENGTH WIDTH CONNECTIONS	LCD SCREEN LENGTH	LCD SCREEN ANGLE	UNIT WEIGHT
(mm)									kg
15	G 3/4 B	100	20	130	87	210	40x22	30°	0.80
20	G1 B	100	20	130	87	210	40x22	30°	0.80
25	G1 1/4 B	100	21.5	160	87	240	47x15	30°	0.85
32	G1 1/2 B	150	26	180	80	260	47x15	30°	1.30
40	G2 B	152	32	200	80	280	47x15	30°	1.70

PERFORMANCE CURVE



PRESSURE LOSS CURVE



"Due to continuous development of our products, we reserve the right to modify our product design or construction without prior notice."

BAYLAN

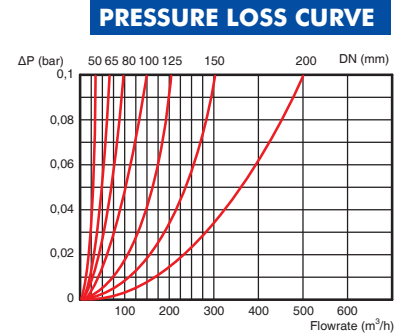
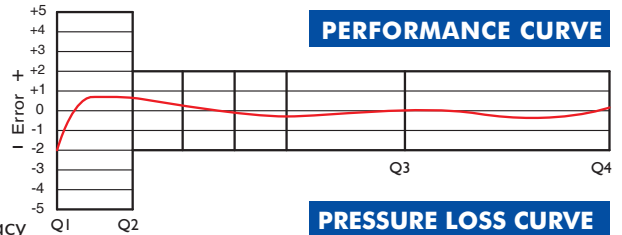
WATER METERS

Ultrasonic Water Meters



GENERAL

- MID Certified • Very good sensitivity at starting flow • Modbus or M-Bus interfaces (Optional)
- Ultrasonic working principle assures very high sensitivity even at low flow
- Reading through the center of the GPRS system, the collector of conformity (Optional)
- Via the LCD display providing access to meter data for billing and check out • Parametric 2 pulse outputs
- Meters are protected against tampering by Seal Stickers with BAYLAN brandname hologram, approved by Metrology Institute
- Suitable for potable water • Advanced service network
- Suitable for cold water up to 50°C
- No measurement of air • Reverse flow detection
- Wide dynamic measuring range and low pressure loss
- Can be mounted all positions desired
- IP 68 protection class
- Radio Frequency automatic remote reading (Optional)
- Due to the lack of moving parts, high measurement accuracy
- Calibration is done inside the electronic circuit digitally by software parameters, which is not possible to modify externally
- Lithium battery, 10 years lifetime • 3 years of warranty
- Service and spare parts available for 10 years



MAIN TECHNICAL DATA

At low flows : $\pm 5\%$ (error) between minimum flow rate (Q_1) and transitional flow rate (Q_2)
 At high flows : $\pm 2\%$ (error) between transitional flow rate (Q_2) and overload flow rate (Q_4)
 Max. Working Temperature : 50°C
 Max. Working Pressure : 16 bar

METER SIZE DIA (mm)	TYPE	Q ₃ / Q ₁	Q ₄ MAX FLOW	Q ₃ NOMINAL FLOW	Q ₂ TRANSITIONAL FLOW	Q ₁ MIN. FLOW	SMALLEST READING RESOLUTION	MAX. REGISTRATION CAPACITY
			m ³ /h					
50	UW 6	250 / 315 / 400	31,25	25	0,160 / 0,127 / 0,100	0,100 / 0,079 / 0,063	0,00001	99999999
65	UW 0	250 / 315 / 400	50	40	0,256 / 0,203 / 0,160	0,160 / 0,127 / 0,100	0,00001	99999999
80	UW 1	250 / 315 / 400	78,75	63	0,403 / 0,320 / 0,252	0,252 / 0,200 / 0,158	0,00001	99999999
100	UW 2	250 / 315 / 400	125	100	0,640 / 0,508 / 0,400	0,400 / 0,317 / 0,250	0,00001	99999999
125	UW 3	250 / 315 / 400	200	160	1,024 / 0,813 / 0,640	0,640 / 0,508 / 0,400	0,00001	99999999
150	UW 4	250 / 315 / 400	312,5	250	1,600 / 1,270 / 1,000	1,000 / 0,794 / 0,625	0,00001	99999999
200	UW 5	250 / 315 / 400	500	400	2,560 / 2,032 / 1,600	1,600 / 1,270 / 1,000	0,00001	99999999

DIMENSIONS & WEIGHTS

METER SIZE DIA (mm)	L LENGTH	B WIDTH	H HEIGHT	CONNECTING FLANGE			PACKAGE WEIGHT (Without Flange) (kg)	PACKAGE WEIGHT (With Flange) (kg)
				D2 (mm) FLANGE DIA	D1 (mm) BOLT CIRCLE DIA.	CONNECTION BOLT (PCS-DIA)		
50	200	165	200	165	125	4 - M16	9	13,50
65	200	185	215	185	145	4 - M16	10,5	15,7
80	225	200	230	200	160	8 - M16	12,6	19,20
100	250	220	240	220	180	8 - M16	16,00	23,25
125	250	250	270	250	210	8 - M16	20,47	31,22
150	300	285	290	285	240	8 - M20	27,17	39,67
200	350	340	340	340	295	8 - M20	41,9	60,35

"Due to continuous development of our products, we reserve the right to modify our product design or construction without prior notice."

BAYLAN

WATER METERS

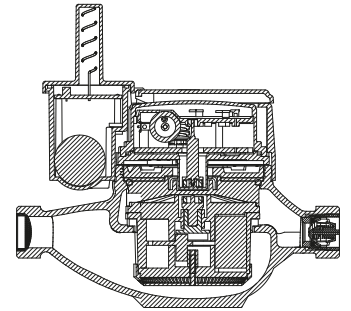
VK-4 RF Volumetric Water Meter



GENERAL

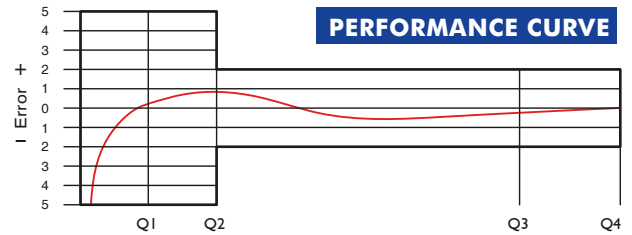
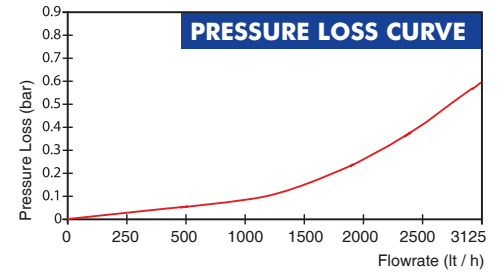
LoRa & wM-Bus Smart Water Meter

- Compact design; meter and communication module in the same housing
- Integrated Lora module-chipset allows both LORA and FSK modulation
- Supports LoRaWAN™ - Class A Protocol
- Supports Wireless MBUS Protocol
- Supports LoRaWAN™ and Wireless MBUS Protocols simultaneously (Optional)
- Selectable Frequency Band EU 863-870 Mhz
- Power Supply 3.6V Lithium Battery • MID Certified
- Vacuumed/air-free mechanism suitable for tropical installation conditions
- Electrostatic epoxy painted body made of corrosion-resistant brass alloy
- Volumetric principle assures very high sensitivity even at low flow
- Very good sensitivity in initial starting
- Suitable for potable water and cold water up to 50°C
- Special glass with high resistance to pressure and impact
- Star wheels indicator ready for optical pulse read-out
- 3 years of warranty • Integrated strainer and non-return valve
- Almost no maintenance
- Service and spare parts available for 10 years



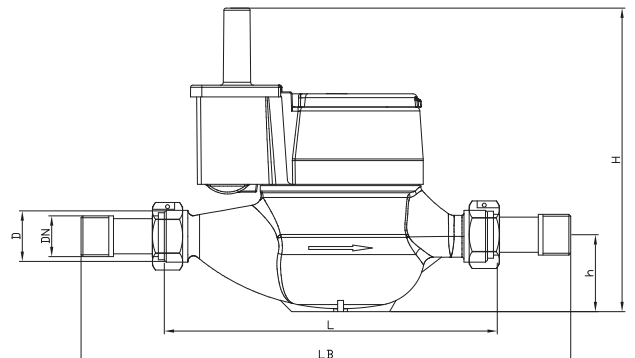
PERFORMANCE DATA

Overload Flowrate	Q4	m ³ /h	3,125
Permanent Flowrate	Q3	m ³ /h	2,500
Transitional Flowrate	Q2	m ³ /h	0,008
Minimum Flowrate	Q1	m ³ /h	0,005
Q3/Q1 (MI-001 OIML R49)	-		≤500
Maximum Registration Capacity	m ³		9999 / 99999 / 99999,99 / 99999,999
Mounting on the network	-		All Positions
Initial Flow	Qi	l/h	1
Maximum Working Pressure	bar		16
Maximum Working Temperature	°C		50
Pressure Loss	bar		0,63
Smallest Reading Resolution	m ³		0,00005
Class	-		Class 1 / Class 2



DIMENSIONS

Nominal diameter	DN	15	mm
Connecting diameter	D	G 3/4	B
Total overall meter height	H	154	mm
Axis height	h	38,4	mm
Width	B	86	mm
Length	L	165	mm
Length with connections	LB	245	mm
Unit weight		1,29	kg
Package Weight (without connections)		7,26	kg
Package Weight (with connections)		8,06	kg
Quantity per package		5	pcs
Package dimensions		19x54x23	cm



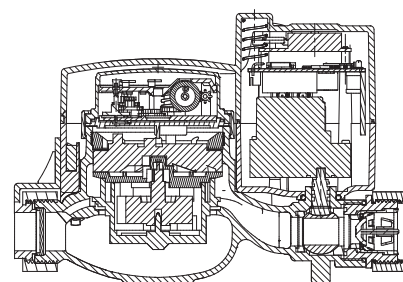
"Due to continuous development of our products, we reserve the right to modify our product design or construction without prior notice."

BAYLAN

WATER METERS

AK-311 GPRS

Remote Reading and Prepaid Water Meters



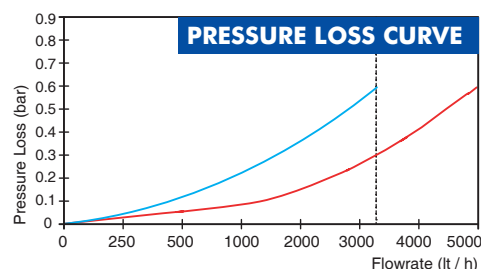
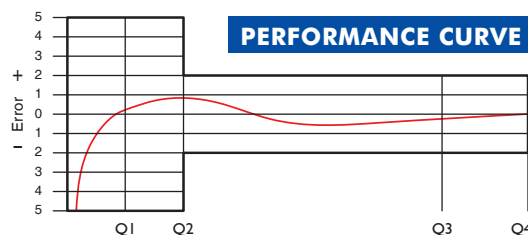
GENERAL

- MID Certified
- Direct communication with central station through GPRS/GSM
- Open and close the valve from remote control center
- Contactless card usage ensures isolation against external effects
- Complete management of the water consumption
- Elimination of meter reading process
- No meter dismantling because of the debts
- Setting up different tariffs • Suitable for potable water
- IP68 protected electronic circuit and mechanical meter
- Check valve disabling bidirectional water flow
- Fitting security cover and electronic sensor
- Long life lithium battery supplied
- LCD display with backlight
- Suitable for cold water up to 50°C
- All spare parts available, wide range of service network
- Leakage control system, 3 years of warranty



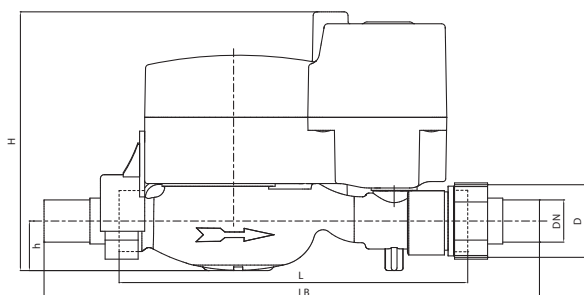
PERFORMANCE DATA

Nominal Diameter	DN	15/20	20
Overload Flowrate	Q4	m ³ /h	3,125 5
Permanent Flowrate	Q3	m ³ /h	2,5 4
Transitional Flowrate	Q2	m ³ /h	0,016 0,0256
Minimum Flowrate	Q1	m ³ /h	0,010 0,016
Q3/Q1 (MI-001 OIML R49)	-	≤250	≤250
Initial Flow	Qi	l/h	7
Maximum Working Pressure	bar	16	
Maximum Working Temperature	°C	50	
Pressure Loss	bar	0,63	
Maximum Registration Capacity	m ³	9999/ 99999/ 99999,99/ 99999,999	
Smallest Reading Resolution	m ³	0,00005	
Mounting on the network	-	Horizontal	
Accuracy Class	-	Class 1 / Class 2	
Quantity per package	-	5	
Package dimensions	cm	16x55x24	



DIMENSIONS

Nominal diameter	DN	15	20	mm
Connecting diameter	D	G 3/4	G 1	B
Total overall meter height	H	141	141	mm
Axis height	h	27	27	mm
Length	L	190	190	mm
Width	B	111	111	mm
Length with connections	LB	270	270	mm
LCD Screen Length		64x20	64x20	mm
LCD Screen Angle		30°	30°	mm
Unit weight		1,70	1,70	kg
Package Weight (without connections)		9,19	9,19	kg
Package Weight (with connections)		10,00	10,14	kg



"Due to continuous development of our products, we reserve the right to modify our product design or construction without prior notice."

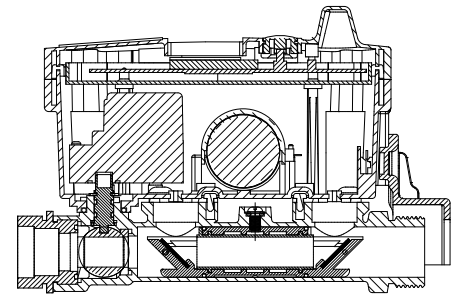
BAYLAN

WATER METERS

AK-411 LoRa

Remote Reading and Prepaid

Ultrasonic Water Meters



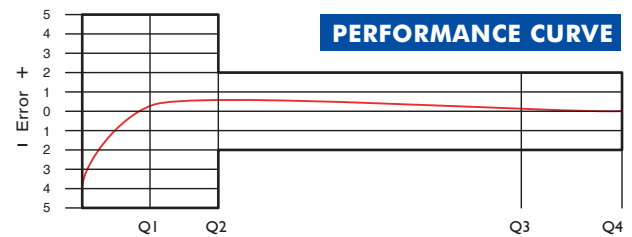
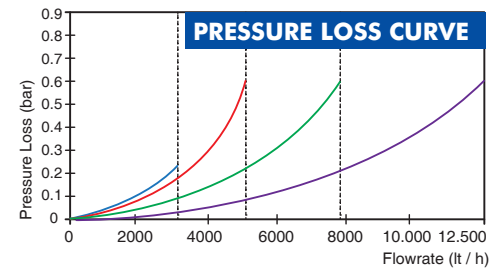
GENERAL

- MID Certificated • Supports Wireless MBUS Protocol • RF Readings
- Integrated Lora module-chipset allows both LORA and FSK modulation
- Supports LoRaWAN™ and Wireless MBUS Protocols simultaneously (Optional)
- Supports LoRaWAN™ - Class A Protocol • Built-in buzzer
- Selectable Frequency Band EU 863-870 Mhz
- Ultrasonic principle assures very high sensitivity even at low flow
- Contactless card usage ensures isolation against external affects
- 3.6V Lithium battery replaced by local administration
- LCD display with back light (128x64px) • Advanced service network
- Suitable for cold water up to 50°C • Suitable for potable water
- No measurement of air • Reverse flow detection
- Wide dynamic measuring range and low pressure loss
- Solid stainless steel reflector • IP 68 protection class
- Can be mounted all positions desired
- Leakage control system, • 3 years of warranty
- Service and spare parts available for 10 years



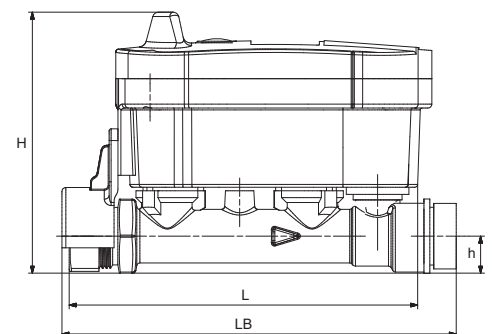
PERFORMANCE DATA

Nominal Diameter	DN	15	20	25	32	
Overload Flowrate Q4	m ³ /h	3,125	3,125	5	7,875	12,5
Permanent Flowrate Q3	m ³ /h	2,5	2,5	4	6,3	10
Transitional Flowrate Q2	m ³ /h	0,010	0,016	0,016	0,0252	0,040
Minimum Flowrate Q1	m ³ /h	0,0063	0,010	0,010	0,0158	0,025
Q3/Q1 (MI-001 OIML R49)	-	≤400	≤250	≤400	≤400	≤400
Pressure Loss	bar	0,16	0,25	0,63	0,16	0,16
Mounting on the network	-	All Positions				
Maximum Registration Capacity	m ³	999999				
Initial Flow Qi	l/h	3				
Maximum Working Pressure	bar	16				
Maximum Working Temperature	°C	50				
Smallest Reading Resolution	m ³	0,00001				
Accuracy Class	-	Class 2				
Quantity per package	-	5				



DIMENSIONS

Nominal diameter	DN	15	20	25	32	mm
Connecting diameter	D	G 3/4	G 1	G 1 1/4	G 1 1/2	B
Total overall meter height	H	147	147	153	161	mm
Axis height	h	19	19	21,9	24,9	mm
Width	B	91	93	91	91	mm
Length	L	190	190	225	230	mm
Length with connections	LB	270	270	345	345	mm
LCD Screen Length		55x30	55x30	55x30	55x30	mm
LCD Screen Angle		30°	30°	30°	30°	mm
Unit weight		1,30	1,30	1,50	1,90	kg
Package Weight (without connec.)		7,30	7,45	8,42	10,5	kg
Package Weight (with connec.)		8,00	8,42	10,62	13,9	kg
Package dimensions		17x52x23	17x52x23	26x52x30	26x52x30	cm



"Due to continuous development of our products, we reserve the right to modify our product design or construction without prior notice."

BAYLAN

WATER METERS

ES-12

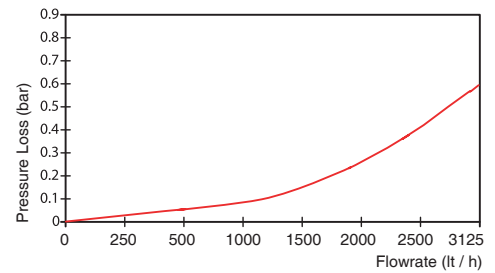
Single jet Dry type Water Meter



GENERAL

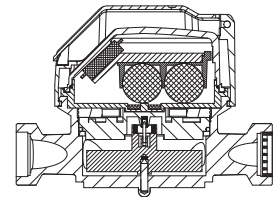
- MID Certified
- Single jet design assures very high sensitivity even at low flows
- Warning features such as reverse flow, stray at plumbing and tampering
- Detecting environment temperature feature
- Pulse output and AMR reading. (Optional)
- Support wired or Wireless M-Bus communication (EN13757). (Optional)
- Wide angle digital screen for easy reading
- IP68 protected electronic circuit and mechanical meter
- Protection against magnetic effect
- Battery life time 10 years. (Optional 15 years)
- Suitable for potable water
- Low pressure loss, high sensitivity at initial flow
- Special glass with high resistance to pressure and impact
- Electrostatic painted body made of corrosion resistant brass
- 360° rotating lid
- 3 years of warranty
- Suitable for cold water up to 50°C
- Service and spare parts available for 10 years

PRESSURE LOSS CURVE

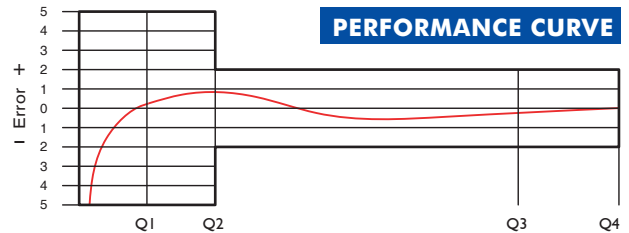


PERFORMANCE DATA

Overload Flowrate	Q4	m³/h	3,125						DN 15	
Permanent Flowrate	Q3	m³/h	2,5							
Transitional Flowrate	Q2	m³/h	0,01	0,0127	0,016	0,020	0,025	0,032		0,040
Minimum Flowrate	Q1	m³/h	0,00625	0,008	0,01	0,0125	0,0156	0,02		0,025
Overload Flowrate	Q4	m³/h	5						DN 20	
Permanent Flowrate	Q3	m³/h	4							
Transitional Flowrate	Q2	m³/h	0,016	0,020	0,0256	0,032	0,040	0,0512		0,064
Minimum Flowrate	Q1	m³/h	0,01	0,0127	0,016	0,02	0,025	0,032		0,04
Q3/Q1 (MI-001 OIML R49)	-		400	315	250	200	160	125	100	
Maximum Registration Capacity		m³	999999,99999							
Mounting on the network			Horizontal							
Initial Flow	Qi	l/h	6							
Maximum Working Pressure		bar	16							
Maximum Working Temperature		°C	50							
Pressure Loss		bar	0,6							
Smallest Reading Resolution		m³	0,00001							
Class			Class 1 / Class 2							

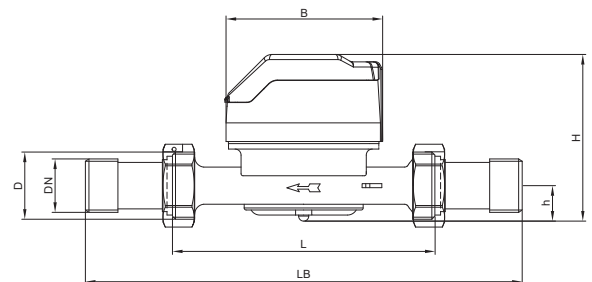


PERFORMANCE CURVE



DIMENSIONS

Nominal diameter	DN	15	20	mm
Connecting diameter	D	G 3/4	G 1	B
Total overall meter height	H	82	82	mm
Axis height	h	19	17	mm
Width	B	78	78	mm
Length	L	110	130	mm
Length with connections	LB	190	210	mm
Unit weight		0,45	0,50	kg
Package Weight (without connect)		5,12	5,76	kg
Package Weight (with connect)		6,72	7,66	kg
Quantity per package		10	10	pcs.
Package dimensions		21x43x17	21x43x17	cm



"Due to continuous development of our products, we reserve the right to modify our product design or construction without prior notice."

BAYLAN

WATER METERS

Automatic Meter Reading Module (AMR) UM-1



GENERAL

- Automatic meter reading with RF (Radio Frequency)
- Works in AT approved 868 Mhz ISM/SRD frequency
- Automatic meter reading, no need to enter the house
- To secure water authority from any risk while reading customers water consumption
- Great saving from time, fast and reliable solution
- Detects illegal interventions and records
- With inductive sensor full protection against magnetic
- Electronic flow detection
- To get past data with optical interface
- Real time clock
- Easy assembly • Internal battery
- By creating databases, you can easily control consumption values
- Almost no maintenance • 3 years of warranty
- 10 years of spare parts and service

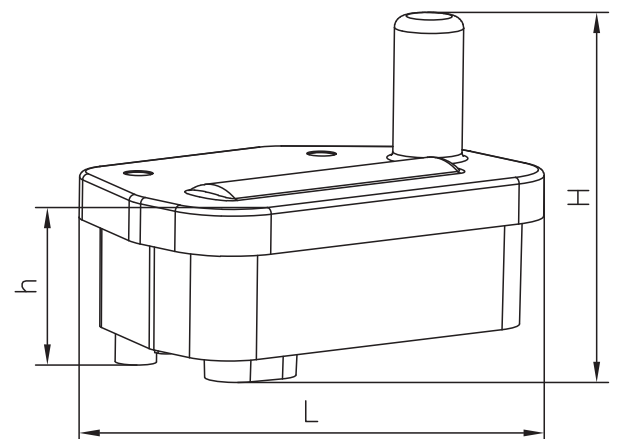


PERFORMANCE DATA

Working Frequency	: 868.03 Mhz
Modulation	: GFSK
Transmitter output power	: Adjustable up to +14dB
Communication Speed	: 1.2-250 kbps
Communication Type	: Two way (reciever-transmitter)
Effective Distance (outside)	: Up to 700m
Energy	: 3.6V DC lithium battery
Battery life	: 10 years
Working Temperature	: -20/+70°C
Weight	: 80 Gr.
Protection class	: IP68
Suitable Baylan Models	: Suitable for all type Baylan meters

DIMENSIONS

Total Height	H	60	mm
Axis Height	h	36	mm
Length	L	78	mm



BAYLAN

WATER METERS

GENERAL

- Automatic meter reading with RF (Radio Frequency)
- EN13757-3 wM-Bus T2 Mode 868 Mhz ISM Band protocol support
- By creating databases, you can easily control consumption values
- To secure water authority from any risk while cutting customers water
- Automatic meter reading, no need to enter the house
- Great saving from time, fast and reliable solution
- Detects illegal interventions and records
- Pulse input full protection reading system
- Electronic flow detection
- To get past data with optical interface
- Real time clock
- Easy assembly • Internal battery
- Almost no maintenance • 3 years of warranty
- 10 years of spare parts and service

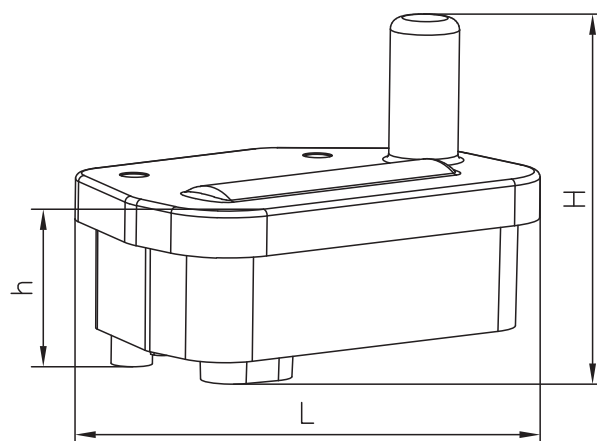
PERFORMANCE DATA

Working Frequency	:	868.03 Mhz
Modulation	:	GFSK
Transmitter output power	:	+10dB
Communication Speed	:	1.2-250 kbps
Communication Type	:	two way (reciever-transmitter)
Effective Distance (outside)	:	400m
Energy	:	3.6 V DC lithium battery
Battery life	:	10 years
Working Temperature	:	-20/+70°C
Weight	:	80 Gr.
Protection class	:	IP68
Suitable Baylan Models	:	Suitable for all type Baylan meters

DIMENSIONS

Total Height	H	60	mm
Axis Height	h	36	mm
Length	L	78	mm

Pulse Input and RF Reading Module UM-1



BAYLAN

WATER METERS

Pulse Output and RF Reading Module UM-1

GENERAL

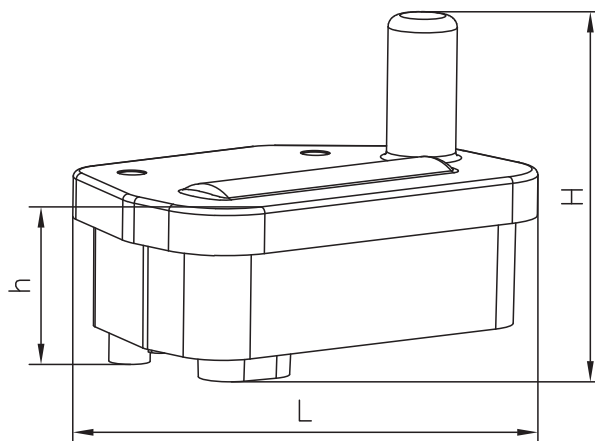
- Automatic meter reading with RF (Radio Frequency)
- EN13757-3 wM-Bus T2 Mode 868 Mhz ISM Band protocol support
- By creating databases, you can easily control consumption values
- To secure water authority from any risk while cutting customers water
- Automatic meter reading, no need to enter the house
- Great saving from time, fast and reliable solution
- Detects illegal interventions and records
- With inductive sensor full protection against magnetic
- Electronic flow detection
- Optocoupler protected pulse output
- To get past data with magnetic trigger interface
- Real time clock
- Easy assembly • Internal battery
- Almost no maintenance • 3 years of warranty
- 10 years of spare parts and service

PERFORMANCE DATA

Working Frequency	:	868.03 Mhz
Modulation	:	GFSK
Transmitter output power	:	+10dB
Communication Speed	:	1.2-250 kbps
Communication Type	:	two way (receiver-transmitter)
Effective Distance (outside)	:	400m
Energy	:	3.6 V DC lithium battery
Battery life	:	10 years
Working Temperature	:	-20/+70°C
Weight	:	80 Gr.
Protection class	:	IP68
Suitable Baylan Models	:	Suitable for all type Baylan meters

DIMENSIONS

Total Height	H	60	mm
Axis Height	h	36	mm
Length	L	78	mm



BAYLAN

WATER METERS

Radio Frequency Automatic Valve Open-Close Module UV-1



GENERAL

- With RF (Radio Frequency) you can automatically open and close the vane
- Works in AT approved 868 Mhz ISM/SRD frequency
- Supports Wireless MBUS Protocol (EN13757)
- AES128-CBC Encrypted communication on wMBUS protocole.
- Opening and closing with remote control, no need to enter the house
- To secure water authority from any risk while cutting customers water
- Real time clock
- Easy installation and operation
- Save time
- Internal battery
- 3 years of warranty
- Almost no maintenance
- 10 years of spare parts and service

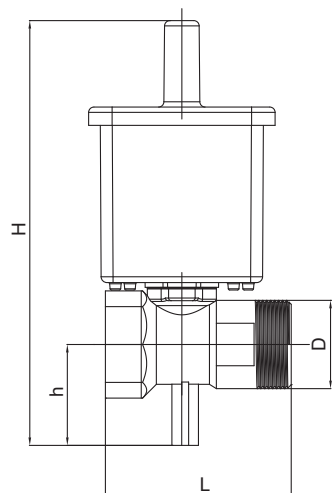


PERFORMANCE DATA

Working Frequency	: 868.03 Mhz & WMBus T2
Modulation	: GFSK
Receiver Sensitivity	: -111dB
Communication Speed	: 1.2-250 kbps
Communication Type	: Bidirectional (Receiver and Transmitter)
Effective Distance (outside)	: 400m
Energy	: 3.6V DC lithium battery
Battery life	: 10 year
Working Temperature	: -20/+70°C
Weight	: 580 Gr.

DIMENSIONS

Nominal diameter	DN	15	20	mm
Connecting diameter	D	G 3/4	G 1	B
Total overall meter height	H	160	152	mm
Axis height	h	70	70	mm
Length	L	38	30	mm



"Due to continuous development of our products, we reserve the right to modify our product design or construction without prior notice."

BAYLAN

WATER METERS

GENERAL

- Integrated Lora module-chipset allows both LORA and FSK modulation
- Supports LoRaWAN™ - Class A Protocol
- Supports Wireless MBUS Protocol
- Supports LoRaWAN™ and Wireless MBUS Protocols simultaneously (Optional)
- Selectable Frequency Band EU 863-870 Mhz
- Power Supply 3.6V Lithium Battery
- Magnetic input pulse reading system
- Automatic meter reading, no need to enter the house
- Great saving from time, fast and reliable solution
- Detects illegal interventions and records
- Electronic flow detection
- Real time clock
- Easy assembly • Internal battery
- By creating databases, you can easily control consumption values
- Almost no maintenance
- 3 years of warranty
- 10 years of spare parts and service

PERFORMANCE DATA

Working Frequency	:	868 MHz
Modulation	:	LoRa
Protocol	:	LoRaWAN
Transmitter output power	:	14dBm
Communication Speed	:	0.3-10 Kbps
Communication Type	:	two way (reciever-transmitter)
Bandwidth	:	125 kHz
Effective Distance (outside)	:	3000 m
Gateway Capacity	:	+ 1000
Energy	:	3.6V DC lithuim battery
Battery life	:	10 years
Working Temperature	:	-20/+70°C
Weight	:	80 Gr.
Protection class	:	IP68
Suitable Baylan Models	:	Suitable for all type Baylan meters

DIMENSIONS

Total Height	H	95	mm
Axis Height	h	55	mm
Length	L	70	mm

RF (LoRa) UM-1 Pulse Input Module

